



// ONE BRAND // ONE SOURCE // ONE SYSTEM



# Belt Cleaning Systems

Our complete range of Conveyor Belt Cleaning Systems.

# Belt Cleaning Systems

## Primary Cleaning Systems 4

REMACLEAN AU Series  
H Type & H Type Polyurethane Belt Cleaners.

## Secondary & Tertiary Cleaning Systems 8

REMACLEAN AU Series  
P Type, R Type & U Type Belt Cleaners.

## Return Cleaning Systems 14

REMACLEAN AU Series  
V Type & Diagonal Plough Belt Cleaners.

## Water Management Systems 20

REMACLEAN AU Series  
Water Management Systems.

## Scraper Rubber 22

REMACLEAN  
Scraper Rubber.

## Belt Scrapers 28

REMACLEAN  
Belt Scrapers.

## Tension Units 36

REMACLEAN  
Tension Units.

## Cleaning Systems For Use On Pulley 39

REMACLEAN  
F Series.

## Cleaning Systems For Use On Belt 55

REMACLEAN  
U Series.

## Belt Cleaning Brushes 72

REMACLEAN  
Belt Cleaning Brushes.

## Questionnaire 82

## BELT CLEANING SYSTEMS REMACLEAN AU - H TYPE

### REMACLEAN AU - H TYPE PRIMARY

REMA TIP TOP offer a full range of H Type primary and H type retractable belt cleaners universally used as a primary cleaner across all light to heavy duty material processing applications. The H Type belt cleaner is a proven and reliable primary belt cleaner. Our market leading H Type retractable belt cleaning systems are ergonomically designed to reduce manual handling and belt cleaner servicing. This leads to improved safety, increased conveyor availability and reduced cleanup costs.

#### Area of application

- Universally applicable as a pre cleaner or main cleaner for many types of materials such as Sand, Gravel, Coal, Ignites, Ores, Sinter, Cement, and in the chemical industry.
- The Retractable Pole option provides increased safety and reduced maintenance benefits and is especially suitable where space is limited.



H Type Primary Belt Cleaner



H Type Cleaner Bolt Tension Kit

### REMACLEAN H TYPE - Standard

#### Properties

- 304 Stainless Steel as standard
- High cleaning efficiency through ideal adaptation of the Tungsten blades to the belt surface
- Long service life through the use of highly wear-resistant Tungsten Tips and cast stainless steel components
- Easy installation and maintenance
- Interchangeable with most standard H Type belt cleaner assemblies.
- Australian Manufactured from local and imported components.
- Custom made option to suit non standard installations and customer specific requirements

### REMACLEAN H TYPE - Retractable

#### Properties

- In addition to the standard H Type:
- Safest Belt Cleaner to maintain on the market
  - Faster and easier maintenance
  - Custom made option to suit non standard installations and customer specific requirements



H Type Compression Spring Tension Kit



Primary Cleaner Spring Tension Unit

## BELT CLEANING SYSTEMS REMACLEAN AU - H TYPE



#### Cushion options

- Standard H Type Cushion (70 duro)\*
- \*RTT standard Cushion is equivalent to Heavy Duty Hih speed cushion.



#### Arm options

- Standard H Type Suspension Arm
- Poly mono arm (available in SS, S, M, L & LL sizes)
- \*RTT Standard suspension arm is equivalent to Heavy Duty



#### Tip options

- Standard S/S tungsten tip
- Heavy-duty S/S tungsten tip
- Double sided S/S T tungsten tip
- Heavy Duty Extra Life 20mm tungsten tip
- Heavy Duty Extra Life 25mm tungsten tip



#### Pole options

- Standard H Type Pole
- Reinforced H Type Pole
- Extra Heavy Duty H Type Pole
- PERFORMANCE Extra Heavy Duty H Type Pole



#### Mounting/Tension options

- Standard Screw mounting
- Spring tension mounting
- Compression spring mounting
- Pnumatic tension mounting
- Hydraulic tension mounting



#### Retractable pole options

- Standard rail
- Split rail
- Segmented rails

### H Type Tips

Ref. No.	Designation
<b>5873243</b>	<b>H Type Protector T Tungsten Tip</b>
<b>5873241</b>	<b>H-Type Tungsten Tip 10mm</b>
<b>5873242</b>	<b>H-Type Tungsten Tip HD 15mm</b>
<b>5957122</b>	<b>H-Type Tungsten Tip HD extra Life 20mm</b>
<b>5957123</b>	<b>H-Type Tungsten Tip HD extra Life 25mm</b>

### H Type Cushions

Ref. No.	Designation
<b>587 3240</b>	<b>H Type cushion</b>

### H Type Arms

Ref. No.	Designation	Suits pulley diametre
<b>5873254</b>	<b>H-Type Suspension Arm SS</b>	250-499 mm
<b>5873255</b>	<b>H-Type Suspension Arm S</b>	500-799 mm
<b>5873256</b>	<b>H-Type Suspension Arm M</b>	900-999 mm
<b>5873257</b>	<b>H-Type Suspension Arm L</b>	1000-1199 mm
<b>5873258</b>	<b>H-Type Suspension Arm LL</b>	1200-1700 mm

## BELT CLEANING SYSTEMS

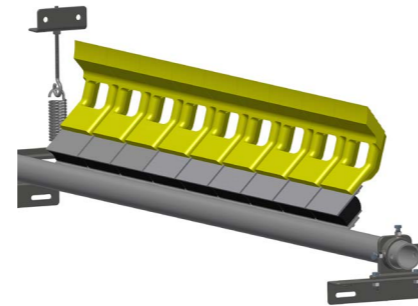
### REMACLEAN AU - H TYPE - Polyurethane Mono Arm Cleaner

#### REMACLEAN AU - H TYPE - Polyurethane Mono Arm Cleaner

REMA TIP TOP offer a full range of H Type primary and H type retractable belt cleaners universally used as a primary cleaner across all light to heavy duty material processing applications. The H Type belt cleaner is a proven and reliable primary belt cleaner. Our market leading H Type retractable belt cleaning systems are ergonomically designed to reduce manual handling and belt cleaner servicing. This leads to improved safety, increased conveyor availability and reduced cleanup costs.

#### Area of application

- Universally applicable as a pre cleaner or main cleaner for many types of materials such as Sand, Gravel, Coal, Ignites, Ores, Sinter, Cement, and in the chemical industry.
- The Retractable Pole option provides increased safety and reduced maintenance benefits and is especially suitable where space is limited.



REMACLEAN AU - H TYPE - Polyurethane Mono Arm Cleaner

#### REMACLEAN H TYPE - Standard

##### Properties

- 304 Stainless Steel as standard
- High cleaning efficiency through ideal adaptation of the Tungsten blades to the belt surface
- Long service life through the use of highly wear-resistant Tungsten Tips and cast stainless steel components
- Easy installation and maintenance
- Interchangeable with most standard H Type belt cleaner assemblies.
- Australian Manufactured from local and imported components.
- Custom made option to suit non standard installations and customer specific requirements

#### REMACLEAN H TYPE - Retractable

##### Properties

- In addition to the standard H Type:
- Safest Belt Cleaner to maintain on the market
  - Faster and easier maintenance
  - Custom made option to suit non standard installations and customer specific requirements

## BELT CLEANING SYSTEMS

### REMACLEAN AU - H TYPE - Polyurethane Mono Arm Cleaner



#### Cushion options

- Standard H Type Cushion (70 duro)\*
- \*RTT standard Cushion is equivalent to Heavy Duty High speed cushion.



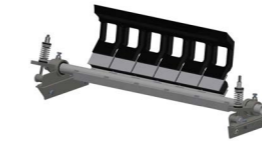
#### Arm options

- Standard H Type Suspension Arm
- Poly mono arm (available in SS, S, M, L & LL sizes)
- \*RTT Standard suspension arm is equivalent to Heavy Duty



#### Pole options

- Standard H Type Pole
- Reinforced H Type Pole
- Extra Heavy Duty H Type Pole
- PERFORMANCE Extra Heavy Duty H Type Pole



#### Mounting/Tension options

- Standard Screw mounting
- Spring tension mounting
- Compression spring mounting
- Pneumatic tension mounting
- Hydraulic tension mounting



#### Retractable pole options

- Standard rail
- Split rail
- Segmented rails

#### H Type Polyurethane Mono Arm Primary Spares

Ref. No.	Designation	Suits pulley diameter
<b>587 3246</b>	<b>Mono Arm SS</b>	250-499 mm
<b>587 3247</b>	<b>Mono Arm S</b>	500-799 mm
<b>587 3248</b>	<b>Mono Arm M</b>	900-999 mm
<b>587 3249</b>	<b>Mono Arm L</b>	1200-1700 mm

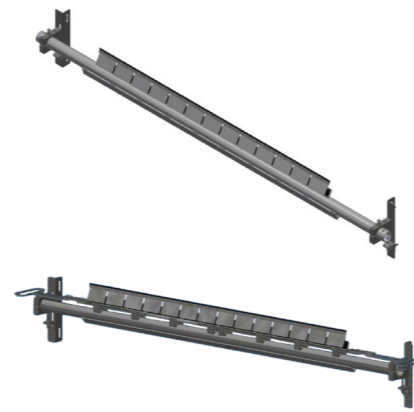
## BELT CLEANING SYSTEMS REMACLEAN AU - P TYPE

### REMACLEAN AU - P TYPE

REMA TIP TOP offer a full range of P Type Secondary and P type retractable belt cleaners universally used as a secondary cleaner across all light to heavy duty material processing applications. The P Type belt cleaner is a proven and reliable secondary belt cleaner. Our market leading P Type retractable belt cleaning systems are ergonomically designed to reduce manual handling and belt cleaner servicing. This leads to improved safety, increased conveyor availability and reduced cleanup costs. Our retractable cleaning systems are made with safety, functionality and quality in mind giving our customers value for money whilst tailoring solutions that are cost effective and safer for their workforce.

#### Area of application

- Universally applicable as secondary cleaner or tertiary cleaner for many types of materials such as Sand, Gravel, Coal, Ignites, Ores, Sinter, Cement, and in the chemical industry.
- The Retractable Pole option provides increased safety and reduced maintenance benefits and is especially suitable where space is limited.



REMACLEAN AU Standard  
P Type Belt Cleaner

### REMACLEAN P TYPE - Standard

#### Properties

- 304 Stainless Steel as standard
- High cleaning efficiency through ideal adaptation of the Tungsten blades to the belt surface
- Long service life through the use of highly wear-resistant Tungsten Tips and cast stainless steel components
- Easy installation and maintenance
- Interchangeable with most standard P Type belt cleaner assemblies.
- Australian Manufactured from local and imported components.
- Custom made option to suit non standard installations and customer specific requirement
- Built in spray bar options available

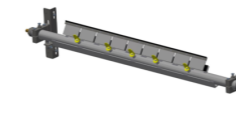
### REMACLEAN P TYPE - Retractable

#### Properties

- In addition to the standard P Type
- Safest Belt Cleaner to maintain on the market
  - Faster and easier maintenance
  - Custom made option to suit non standard installations and customer specific requirements
  - No requirement to remove the cleaner pole completely
  - Split rail options allow for easy removal from limited space areas
  - Eliminates the risk of dropping scraper pole during removal or installation

Complete Belt Cleaner and Custom Builds available. part numbers and pricing quoted upon request.

## BELT CLEANING SYSTEMS REMACLEAN AU - P TYPE



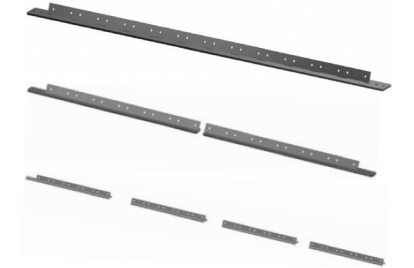
#### Pole options

- Standard P Type Pole
- Standard P Type with water spray
- Reinforced P Type Pole
- Extra Heavy Duty P Type Pole



#### Mounting/Tension options

- Standard P Type mounting
- Spring tension



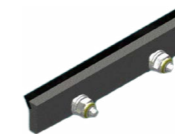
#### Rail options

- Standard rail
- Split rail
- Segmented rails



#### Cushion options

- Standard P Type Cushion (55 duro)
- P Type Cushion Heavy Duty High Speed 70 Duro



#### Tip options

- Standard S/S tungsten tip 10mm
- Heavy-duty S/S tungsten tip 15mm
- Heavy Duty Extra Life 20mm tungsten tip
- Heavy Duty Extra Life 25mm tungsten tip

### REMACLEAN AU - P TYPE - Primary Spares

Ref. No.	Designation	Dimensions
587 3418	P Type Tungsten Tip Standard 10mm	150mm x 10mm x 5mm
587 3419	P Type Tungsten Tip Heavy Duty 15mm	150mm x 15mm x 5mm
595 7124	P Type Tungsten Tip Extra Heavy Duty 20mm	150mm x 20mm x 3mm
595 7125	P Type Tungsten Tip Extra Heavy Duty 25mm	150mm x 25mm x 3mm
587 3416	P Type Cushion Standard 55 Duro	140mm x 100mm x 43mm
587 3417	P Type cushion Heavy Duty High Speed 70 Duro	140mm x 100mm x 43mm
587 3631	Secondary Bolt Tension Kit 60 Diameter Poles	
587 3632	Secondary Bolt Tension Kit 73 Diameter Poles	
530 5084	Secondary Spring Tension Kit 60 Diameter Poles	
587 4739	Secondary Spring Tension Kit 73 Diameter Poles	

## BELT CLEANING SYSTEMS REMACLEAN AU - R TYPE

### REMACLEAN AU - R TYPE

REMA TIP TOP offer a full range of R Type Secondary and R type retractable belt cleaners universally used as a secondary cleaner across all light to heavy duty material processing applications. The R Type belt cleaner is a proven and reliable secondary or tertiary belt cleaner. Our market leading P Type retractable belt cleaning systems are ergonomically designed to reduce manual handling and belt cleaner servicing. This leads to improved safety, increased conveyor availability and reduced cleanup costs. Our retractable cleaning systems are made with safety, functionality and quality in mind giving our customers value for money whilst tailoring solutions that are cost effective and safer for their workforce.



REMACLEAN AU R Type Belt Cleaner

#### Area of application

- Universally applicable as secondary cleaner or tertiary cleaner for many types of materials such as Sand, Gravel, Coal, Ignites, Ores, Sinter, Cement, and in the chemical industry.
- The Retractable Pole option provides increased safety and reduced maintenance benefits and is especially suitable where space is limited.

### REMACLEAN R TYPE - Standard

#### Properties

- 304 Stainless Steel as standard
- High cleaning efficiency through ideal adaptation of the Tungsten blades to the belt surface
- Long service life through the use of highly wear-resistant Tungsten Tips and cast stainless steel components
- Easy installation and maintenance
- Interchangeable with most standard P Type belt cleaner assemblies
- Australian Manufactured from local and imported components
- Custom made option to suit non standard installations and customer specific requirement
- Built in spray bar options available

### REMACLEAN R TYPE - Retractable

#### Properties

- In addition to the standard R Type:
- Safest Belt Cleaner to maintain on the market
  - Faster and easier maintenance
  - Custom made option to suit non standard installations and customer specific requirements
  - No requirement to remove the cleaner pole completely
  - Split rail options allow for easy removal from limited space areas
  - Eliminates the risk of dropping scraper pole during removal or installation

## BELT CLEANING SYSTEMS REMACLEAN AU - R TYPE

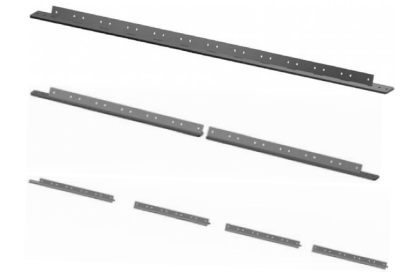


#### Mounting/Tension options

- Secondary cleaner spring tension unit
- Standard bolt tension unit

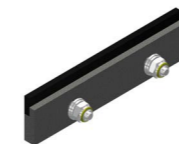
#### Cushion options

- Standard P Type Cushion (55 duro)
- P Type Cushion Heavy Duty High Speed 70 Duro



#### Rail options

- Standard rail
- Split rail
- Segmented rails



#### Tip options

- Standard S/S tungsten tip 10mm
- Heavy-duty S/S tungsten tip 15mm
- Heavy Duty Extra Life 20mm tungsten tip
- Heavy Duty Extra Life 25mm tungsten tip

### REMACLEAN AU - R TYPE - Primary Spares

Ref. No.	Designation	Dimensions
5873550	R Type Tungsten Tip Standard 10mm	150mm x 10mm x 5mm
5873549	R Type Tungsten Tip Heavy Duty 15mm	150mm x 15mm x 5mm
5957126	R Type Tungsten Tip Extra Heavy Duty 20mm	150mm x 20mm x 3mm
5957127	R Type Tungsten Tip Extra Heavy Duty 25mm	150mm x 25mm x 3mm
5305062	R Type Cushion Standard 55 Duro	140mm x 100mm x 55mm
5304565	R Type cushion Heavy Duty High Speed 65 Duro	140mm x 100mm x 55mm
5873631	Secondary Bolt Tension Kit 60 Diameter Poles	
5873632	Secondary Bolt Tension Kit 73 Diameter Poles	
5305084	Secondary Spring Tension Kit 60 Diameter Poles	
5874739	Secondary Spring Tension Kit 73 Diameter Poles	

## BELT CLEANING SYSTEMS REMACLEAN AU - U TYPE

### REMACLEAN AU - U TYPE

REMA TIP TOP offer a full range of U Type belt cleaners universally used across all light to heavy duty material processing applications. The U Type belt cleaner is a proven and reliable belt cleaner in both a secondary or tertiary application. Our market leading U Type belt cleaning systems are designed to reduce carry back and for easy service. This leads to improved safety, increased conveyor availability and reduced cleanup costs. Our U Type cleaning systems are made with safety, functionality and quality in mind giving our customers value for money whilst tailoring solutions that are cost effective and safer for their workforce.



REMACLEAN AU U Type Belt Cleaner

#### Properties

- Easy installation and maintenance
- Long service life through the use of highly wear-resistant Tungsten and cast stainless steel components
- Interchangeable with most U type belt cleaner assemblies
- Australian Manufactured from local and imported components
- 304 stainless steel construction
- Available with spring tension
- Exceptional bonding - rubber to steel tungsten insert
- Tungsten induction brazed not glued
- Complete Units available to suit belt widths from 600mm to 3000mm
- Custom manufactured to suit belt widths 3200mm and above
- Complete polyurethane units and custom blends available upon request

#### Area of application

- Universally applicable as a secondary cleaner or tertiary cleaner for many types of materials such as sand, gravel, coal, ignites, ores, sinter, cement, and in the chemical industry.



U Type Poly Blade



U Type Tungsten Blade

## BELT CLEANING SYSTEMS REMACLEAN AU - U TYPE

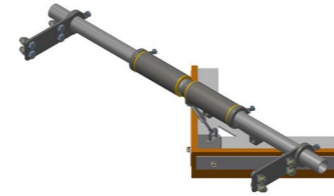
### REMACLEAN AU - U TYPE - Primary Spares

Ref. No.	Designation	Belt Width
5780841	U TYPE 600mm Tungsten Blade	600mm
5874731	U TYPE 750mm Tungsten Blade	750mm
5874732	U TYPE 900mm Tungsten Blade	900mm
5874710	U TYPE 1050mm Tungsten Blade	1050mm
5874719	U TYPE 1200mm Tungsten Blade	1200mm
5874720	U TYPE 1400mm Tungsten Blade	1400mm
5874733	U TYPE 1500mm Tungsten Blade	1500mm
5874734	U TYPE 1600mm Tungsten Blade	1600mm
5874735	U TYPE 1800mm Tungsten Blade	1800mm
5874736	U TYPE 2000mm Tungsten Blade	2000mm
5780853	U TYPE 2200mm Tungsten Blade	2200mm
5874729	U TYPE 2400mm Tungsten Blade	2400mm
5874730	U TYPE 3000mm Tungsten Blade	3000mm

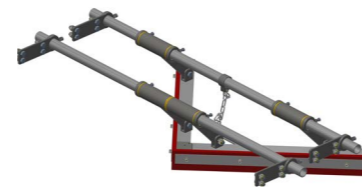
**BELT CLEANING SYSTEMS**  
**REMACLEAN AU - V TYPE - For use on belt**

**REMACLEAN AU - Floating Vee Plough & Floating Failsafe Vee Plough**

REMA TIP TOP offer a full range of Floating Vee Plough and Floating Failsafe Vee Plough assemblies and spares used across all light to heavy duty material processing applications. The floating and failsafe style plough is proven and reliable. Our range of Floating and failsafe Vee Ploughs are designed to be used on single direction conveyor belts with the plough positioned on the return side of the belt prior to the tail pulley that adjusts to the belt automatically using gravity. REMA TIP TOP also offer a bull nose options upon request.



Floating Vee Plough Single Pole



Twin Pole Plough

**Properties**

- Complete 304 stainless steel construction
- Polyurethane bushes inside link arms to eliminate vibration
- Australian Manufactured from local and imported components
- FRAS and Hi Temp options available
- Safety turnbuckle
- Bull nose option available
- Complete Units available to suit belt widths from 450mm to 3200mm
- Custom manufactured complete units available up on request

**Area of application**

- Universally applicable as a secondary cleaner or tertiary cleaner for many types of materials such as sand, gravel, coal, ignites, ores, sinter, cement, and in the chemical industry.

**REMACLEAN AU - Floating Vee Plough & Floating Failsafe Vee Plough - Blade Spares**

Ref. No.	Designation	Belt Width
5873835	Floating and Failsafe blade set Standard	450mm
5873836	Floating and Failsafe blade set Standard	600mm
5873837	Floating and Failsafe blade set Standard	750mm
5873838	Floating and Failsafe blade set Standard	900mm
5873839	Floating and Failsafe blade set Standard	1050mm
5873840	Floating and Failsafe blade set Standard	1200mm
5873841	Floating and Failsafe blade set Standard	1400mm
5873842	Floating and Failsafe blade set Standard	1500mm
5873843	Floating and Failsafe blade set Standard	1600mm
5873843	Floating and Failsafe blade set Standard	1800mm

**BELT CLEANING SYSTEMS**  
**REMACLEAN AU - V TYPE - For use on belt**

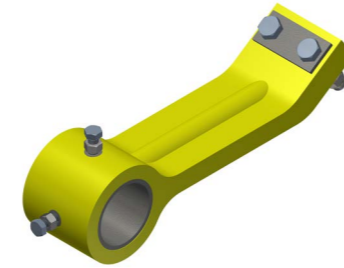
Ref. No.	Designation	Belt Width
5873855	HD Floating and Failsafe blade set	1200mm
5873856	HD Floating and Failsafe blade set	1400mm
5873857	HD Floating and Failsafe blade set	1500mm
5873858	HD Floating and Failsafe blade set	1600mm
5873859	HD Floating and Failsafe blade set	1800mm
5873860	HD Floating and Failsafe blade set	2000mm
5873861	HD Floating and Failsafe blade set	2200mm
5873862	HD Floating and Failsafe blade set	2400mm
5873863	HD Floating and Failsafe blade set	2500mm



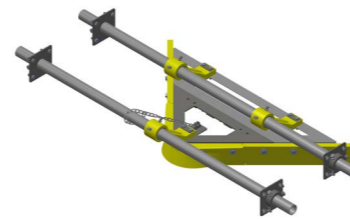
**BELT CLEANING SYSTEMS**  
**REMACLEAN AU - V TYPE - For use on belt**

**REMACLEAN AU - Vee Plough Torsion**

REMA TIP TOP offer a full range of Torsion Vee Plough assemblies and spares used across all light to heavy duty material processing applications. The Torsion style plough is a proven and reliable. The torsion plough is located in the same position as the floating plough with a different tension design allowing the plough to stay in constant contact with the conveyor belt. Our market leading torsion plough belt cleaning systems are designed to reduce belt cleaner servicing. This leads to improved safety, increased conveyor availability and reduced cleanup costs. Our torsion vee plough cleaning systems are made with safety, functionality and quality in mind giving our customers value for money whilst tailoring solutions that are cost effective and safer for their workforce.



REMACLEAN AU Vee Plough Torsion



REMACLEAN AU Vee Plough Torsion

**Properties**

- Safety chain
- Two piece body for easy installation
- Split torsion arm spares available or safer and faster maintenance
- Australian Manufactured from local and imported components
- 304 stainless steel construction
- FRAS and Hi Temp options available
- Complete assembly units available to suit belt widths from 600mm to 3200mm
- Custom manufactured complete units available up on request

**Area of application**

- Universally applicable for many types of materials such as Sand, Gravel, Coal, Ignites, Ores, Sinter, Cement, and in the chemical industry.
- The split torsion arm option provides increased safety and reduced maintenance benefits and is especially suitable when opportune maintenance opportunities are limited.

**REMACLEAN AU - Vee Plough Torsion - Blade Spares**

Ref. No.	Designation	Belt Width
5873970	Nose Blade Standard	All
5873971	Blade set standard	600mm
5873972	Blade set standard	750mm
5873973	Blade set standard	900mm
5873974	Blade set standard	1050mm
5873975	Blade set standard	1200mm
5873976	Blade set standard	1400mm
5873977	Blade set standard	1500-1600mm
5873978	Blade set standard	1800mm
5873979	Blade set standard	2000mm
5873980	Blade set standard	2200mm
5873981	Blade set standard	2400mm
5873982	Blade set standard	2600mm

**BELT CLEANING SYSTEMS**  
**REMACLEAN AU - V TYPE - For use on belt**

Ref. No.	Designation	Belt Width
5873996	HD Nose Blade	All
5873997	HD Blade Set	900mm
5873998	HD Blade Set	1050mm
5873999	HD Blade Set	1200mm
5873400	HD Blade Set	1400mm
5873401	HD Blade Set	1500mm
5873402	HD Blade Set	1600mm
5873403	HD Blade Set	1800mm
5873404	HD Blade Set	2000mm
5873405	HD Blade Set	2200mm
5873406	HD Blade Set	2400mm
5873407	HD Blade Set	2600mm
5873408	HD Blade Set	2800mm
5874009	HD Blade Set	3000mm

Special properties\*

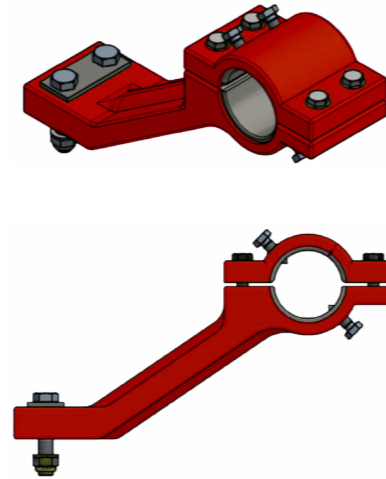
FRAS POLYURETHANE

## BELT CLEANING SYSTEMS

### REMACLEAN AU Split Torsion Arm - Innovating plough maintenance through safety and efficiency

#### REMACLEAN AU - Split Torsion Arm

REMACLEAN Split Torsion Arms are designed to revolutionise the maintainability of conveyor ploughs which utilise the torsion tensioning system worldwide. Engineered to make servicing ploughs safer and more time efficient our split torsion arms are designed based on the feedback from our service technicians around the world. We manufacture locally from the highest quality stainless steel and polyurethane blends, with solutions to suit 60 and 73 diameter poles.



REMACLEAN Split Torsion Arm

#### Properties

- Minimises maintenance and downtime.
- User friendly
- Interchangeable across all major torsion plough models
- Safest Torsion Arm on the market.
- Australian made

#### Area of application

- Versatile across all mining applications from light to heavy-duty.
- Iron ore
- Copper
- Coal
- Nickel
- Gold
- Quarries
- Sand and gravel plants

#### REMACLEAN Split Torsion Arm

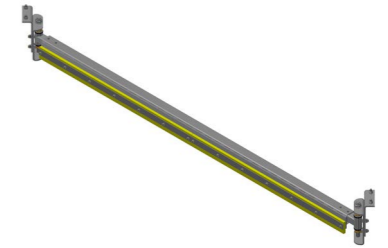
Ref. No.	Designation	Dimensions
<b>530 5596</b>	<b>REMACLEAN Split Torsion Arm</b>	60 diametre poles
<b>530 5595</b>	<b>REMACLEAN Split Torsion Arm</b>	73 diametre poles

## BELT CLEANING SYSTEMS

### REMACLEAN AU - Belt return side scraper

#### REMACLEAN AU - Diagonal Plough

REMA TIP TOP offer a full range of Diagonal Plough assemblies and spares used across all light to heavy duty material processing applications. The diagonal style plough is proven and reliable. Diagonal ploughs are designed for use on single directional conveyors. The diagonal plough removes material on the return side of the belt moving the waste to a single side. This is best used where access is poor on one side of a conveyor. Our market leading diagonal plough belt cleaning systems are designed to reduce belt cleaner servicing, improve safety, increase conveyor availability and reduce cleanup costs. Our diagonal plough cleaning systems are made with safety, functionality and quality in mind giving our customers value for money whilst tailoring solutions that are cost effective and safer for their workforce. Rema Tip Top also offer a full reversible diagonal plough range and spares.



REMACLEAN AU Diagonal Plough

#### Properties

- Standard and Heavy Duty options available
- Reversible assemblies and spares available
- Fully interchangeable with most leading brands
- Australian Manufactured from local and imported components
- 304 stainless steel construction
- FRAS and Hi Temp options available
- Complete assembly units available to suit belt widths from 600mm to 2200mm
- Sizes above 2200mm and Custom manufactured complete units available up on request

#### Area of application

- Universally applicable for many types of materials such as Sand, Gravel, Coal, Ignites, Ores, Sinter, Cement, and in the chemical industry

#### REMACLEAN AU - Diagonal Plough - Primary Spares

Ref. No.	Designation	Belt Width
<b>5780835</b>	<b>Diagonal Plough Blade</b>	600-750mm
<b>5957119</b>	<b>Diagonal Plough Blade</b>	900-1050mm
<b>5874709</b>	<b>Diagonal Plough Blade</b>	1200-1500mm
<b>5874703</b>	<b>Diagonal Plough Blade</b>	1600-1800mm
<b>5874702</b>	<b>Diagonal Plough Blade</b>	2000-2200mm
<b>5874704</b>	<b>HD Diagonal Plough Blade Set</b>	2000-2200mm
<b>5957159</b>	<b>Reversing Diagonal Blade Set</b>	600-750mm
<b>5957160</b>	<b>Reversing Diagonal Blade Set</b>	900-1050mm
<b>40000003</b>	<b>Reversing Diagonal Blade Set</b>	1200-1500mm
<b>5957161</b>	<b>Reversing Diagonal Blade Set</b>	1600-1800mm
<b>5957162</b>	<b>Reversing Diagonal Blade Set</b>	2000-2200mm

Special properties\*

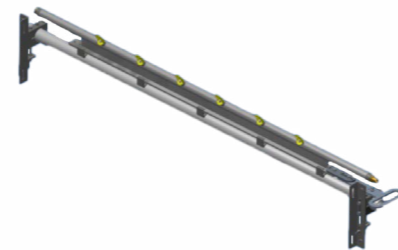
FRAS POLYURETHANE

## BELT CLEANING SYSTEMS

Water Management Systems - Revolutionising the performance and serviceability of conveyor spray systems

### Retractable Spray Bars

Our innovative retractable spray bars are designed so they can be serviced while the conveyor is still running. They use a slim line design to make installation and maintenance easy.



Retractable Spray Bars

#### Properties

- Enables maintenance without disruption to plant availability.
- Can be used as part of a rotatable spares system.
- Available for all belt widths.
- Custom builds and specs available upon request.
- 304 stainless steel as standard.
- Can be adapted for dust suppression.

#### Area of application

- Compatible with all cleaning systems.
- Ideal for tight areas where access is limited to install or service.

### Retractable Spray Bars

Ref. No.	Designation	Belt Width
<b>5874771</b>	<b>Retractable Spray Bar</b>	1050mm
<b>5874772</b>	<b>Retractable Spray Bar</b>	1200mm
<b>5874773</b>	<b>Retractable Spray Bar</b>	1400mm
<b>5957175</b>	<b>Retractable Spray Bar</b>	1500mm
<b>5874775</b>	<b>Retractable Spray Bar</b>	1600mm
<b>5874759</b>	<b>Retractable Spray Bar</b>	1800mm
<b>5874760</b>	<b>Retractable Spray Bar</b>	2000mm

## BELT CLEANING SYSTEMS

Water Management Systems - Revolutionising the performance and serviceability of conveyor spray systems

### Water Control Manifold

The key to the optimal performance of any water control system starts with the flow and pressure of water within the system. Our water manifolds control the supply, pressure and cleanliness of water delivered to the belt cleaning system. These three key performance indicators ensure that the cleaning system can deliver the best possible cleaning efficiency and offer premium performance and maximum service life. We manufacture systems locally and offer water control manifold options to suit all operating functionality and budgets.

#### Properties

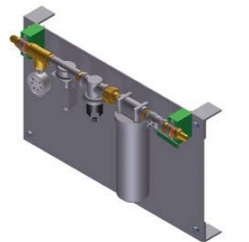
- Standard inline configuration (no bypass line).
- Standard with bypass (maintenance line).
- Custom builds available to suit site specific needs.
- Fully enclosed units available across the whole range.
- Solenoid operated valves.
- Remote flow monitoring.

#### Area of application

- For the control of water flow to spray nozzles.



Water Control Unit with Bypass



Water Control Unit



Enclosed Water Control Unit with Dual Bypass

### Water Control Mainfold

Ref. No.	Designation	Enclosure
<b>5874714</b>	<b>Water Control Manifold</b>	Not enclosed
<b>5874715</b>	<b>Water Control Manifold</b>	Enclosed in 316 Stainless Steel Enclosure
<b>5874716</b>	<b>Water Control Manifold</b>	Enclosed in Powder Coated Enclosure

## REMACLEAN 60

Due to its excellent abrasion-resistance and high elasticity, our special rubber material REMACLEAN 60 is capable of significantly prolonging service life compared to conventional rubber materials. The scraper rubber is mounted on the system's existing scraper system and when new may protrude from the bracket by up to its own thickness.



REMACLEAN 60

### Properties

- Excellent wear resistance
- Very high elasticity
- Low friction on conveyor belt
- Easy fitment
- Different thicknesses available from 8 - 20 mm
- Production widths up to 2 000 mm available
- Designed for temperature ranges of -40°C to +70°C

### Area of application

- Universally applicable as scraper and skirting rubber for granulated, non-sticky material

## REMACLEAN 60

### Specifications

Polymer basis	BR/IR/SBR	DIN ISO 1629
Specific weight	1.13 g/cm <sup>3</sup>	DIN EN ISO 1183-1
Hardness	60 Shore A	DIN ISO 7619-1
Colour	Black	

Ref. No.	Designation	Dimensions
549 7034	REMACLEAN 60	8 x 2 000 x 10 000 mm
549 7089	REMACLEAN 60	10 x 2 000 x 10 000 mm
549 7137	REMACLEAN 60	15 x 2 000 x 10 000 mm
549 7182	REMACLEAN 60	20 x 2 000 x 10 000 mm

## REMACLEAN 60 MOR

Especially for moderately oil resistant conveyor belts with fabric plies used in the recycling industry. Roll can be cut into strips upon request.



REMACLEAN 60 MOR

### Properties

- Good wear-resistance
- Very high flexibility
- Low friction on conveyor belt
- Different thicknesses available from 5-10 mm
- Production widths up to 2000 mm available
- Designed for service temperatures from 40°C to +70°C
- Moderate oil and grease resistant

### Area of application

- Universally applicable as scraper and skirting rubber for granulated, non-sticky material in the recycling industry

## REMACLEAN 60 MOR

### Moderate oil resistance

### Specifications

Polymer basis	NBR/SBR	DIN ISO 1629
Specific weight	1.16 g/cm <sup>3</sup>	DIN EN ISO 1183-1
Hardness	64 Shore A	DIN ISO 7619-1
Colour	Black	

Ref. No.	Designation	Dimensions	Weight
549 7520	REMACLEAN 60 MOR	5 x 2 000 x 10 000 mm	11.97 kg/m
549 7530	REMACLEAN 60 MOR	7 x 2 000 x 10 000 mm	16.76 kg/m
549 7540	REMACLEAN 60 MOR	10 x 2 000 x 10 000 mm	23.94 kg/m

## REMACLEAN 70

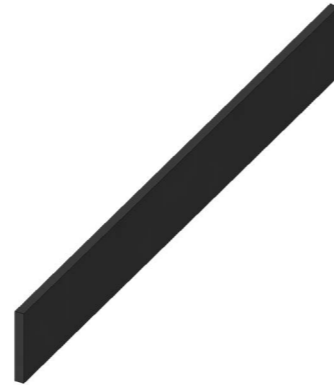
Due to its excellent abrasion-resistance and high elasticity, our special rubber material REMACLEAN 70 is perfectly suitable to achieve significantly longer service life compared to conventional rubber materials. The scraper rubber is mounted on the system's existing scraper system and when new may protrude from the bracket by up to its own thickness.

### Properties

- Excellent wear-resistance
- Very high flexibility
- Low friction on conveyor belt
- Easy fitment
- Different thicknesses available from 6 -20 mm
- Production widths up to 2 000 mm available
- Designed for temperature ranges of -40°C to +70°C

### Area of application

- Universally applicable as scraper and skirting rubber for granulated, non-sticky material



REMACLEAN 70

## REMACLEAN 70

Roll can be cut into strips upon request.

### Specifications

Polymer basis	NR/BR	DIN ISO 1629
Specific weight	1.09 g/cm <sup>3</sup>	DIN EN ISO 1183-1
Hardness	63 Shore A	DIN ISO 7619-1
Colour	Black	

Ref. No.	Designation	Dimensions	Weight
549 9200	REMACLEAN 70	6 x 2 000 x 10 000 mm	13.86 kg/m
549 6815	REMACLEAN 70	10 x 120 x 10 000 mm	1.39 kg/m
549 6822	REMACLEAN 70	10 x 150 x 10 000 mm	1.73 kg/m
549 6839	REMACLEAN 70	10 x 2 000 x 10 000 mm	23.00 kg/m
549 6860	REMACLEAN 70	15 x 200 x 10 000 mm	3.45 kg/m
549 6884	REMACLEAN 70	15 x 2 000 x 10 000 mm	34.50 kg/m
549 6925	REMACLEAN 70	20 x 2 000 x 10 000 mm	46.00 kg/m

## REMACLEAN 70 V

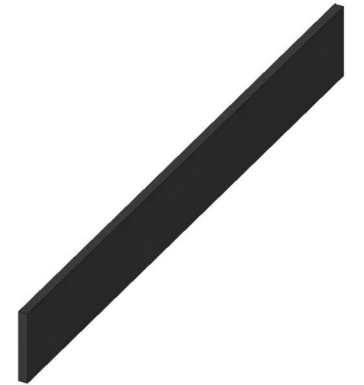
Self-extinguishing, antistatic and moderate oil resistance.  
German underground approval: 18.43.21-91-4  
Polish underground approval: Dopuszczenie WUG Katowice No. B/1724/IV/2016  
May be used in ATEX installations.

### Properties

- Very high flexibility
- Low friction on conveyor belt
- Easy fitment
- Different thicknesses available from 8-20 mm
- Production widths up to 2000 mm available
- Designed for temperature ranges of -40°C to +70°C

### Area of application

- Universally applicable as scraper and skirting rubber



REMACLEAN 70 V

## REMACLEAN 70 V

Roll can be cut into strips upon request.

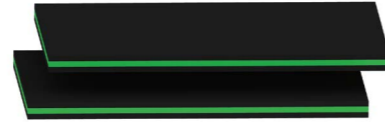
### Specifications

Polymer basis	CR	DIN ISO 1629
Specific weight	1.39 g/cm <sup>3</sup>	DIN EN ISO 1183-1
Hardness	60 Shore A	DIN ISO 7619-1
Colour	Black	

Ref. No.	Designation	Dimensions	Weight
549 7333	REMACLEAN 70 V	8 x 2 000 x 10 000 mm	23.52 kg/m
549 7388	REMACLEAN 70 V	10 x 2 000 x 10 000 mm	29.20 kg/m
549 7436	REMACLEAN 70 V	15 x 2 000 x 10 000 mm	43.80 kg/m
549 7474	REMACLEAN 70 V	20 x 2 000 x 10 000 mm	58.40 kg/m

## REMACLEAN CAB GREEN

Three-ply combi scraping rubber (CAB) with wear resistant outer layer and elastic inner layer. The combi scraper rubber may protrude from its support up to 1.5 times its thickness.



REMACLEAN CAB GREEN

### Properties

- Excellent wear resistance
- Very belt friendly
- Low friction on conveyor belt
- Different thicknesses available from 15-40 mm
- Production widths up to 2 000 mm available
- Designed for temperature ranges of -40°C to +70°C

### Area of application

- Universally applicable as scraper for granular, slightly sticky and moist material

## REMACLEAN CAB GREEN

Roll can be cut into strips upon request.

### Specifications

Polymer basis	NR/BR	DIN ISO 1629
Specific weight	1.13/1.09/1.13 g/cm <sup>3</sup>	DIN EN ISO 1183-1
Hardness	71/49/71 Shore A	DIN ISO 7619-1
Colour	Black/Green/Black	

Ref. No.	Designation	Dimensions	Weight
549 8411	REMACLEAN CAB GREEN	15 x 100 x 10 000 mm	1.81 kg/m
549 8428	REMACLEAN CAB GREEN	15 x 120 x 10 000 mm	2.17 kg/m
549 8435	REMACLEAN CAB GREEN	15 x 150 x 10 000 mm	2.73 kg/m
549 8442	REMACLEAN CAB GREEN	15 x 2 000 x 10 000 mm	36.29 kg/m
549 8459	REMACLEAN CAB GREEN	20 x 100 x 10 000 mm	2.38 kg/m
549 8473	REMACLEAN CAB GREEN	20 x 150 x 10 000 mm	3.57 kg/m
549 8497	REMACLEAN CAB GREEN	20 x 2 000 x 10 000 mm	47.56 kg/m
549 8514	REMACLEAN CAB GREEN	25 x 120 x 10 000 mm	3.51 kg/m
549 8521	REMACLEAN CAB GREEN	25 x 150 x 10 000 mm	4.39 kg/m
549 8538	REMACLEAN CAB GREEN	25 x 200 x 10 000 mm	5.84 kg/m
549 8552	REMACLEAN CAB GREEN	25 x 2 000 x 10 000 mm	58.43 kg/m
549 8624	REMACLEAN CAB GREEN	30 x 2 000 x 10 000 mm	68.88 kg/m
549 8648	REMACLEAN CAB GREEN	40 x 2 000 x 5 000 mm	91.84 kg/m

## REMACLEAN CAB GREY

Three-ply combi scraping rubber (CAB) with wear resistant outer layer and elastic inner layer. The combi scraper rubber may protrude from its support up to 1.5 times its thickness.



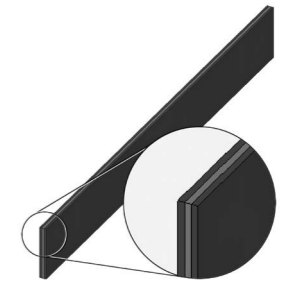
REMACLEAN CAB GREY

### Properties

- Excellent wear resistance
- Very belt friendly
- Low friction on conveyor belt
- Different thicknesses available from 15-30 mm
- Production widths up to 2 000 mm available
- Designed for temperature ranges of -40°C to +70°C

### Area of application

- Universally applicable as scraper for granular, slightly sticky and moist material



sideview

## REMACLEAN CAB GREY

Roll can be cut into strips upon request.

### Specifications

Polymer basis	BR/NR/IR	DIN ISO 1629
Specific weight	1.23/1.10/1.23 g/cm <sup>3</sup>	DIN EN ISO 1183-1
Hardness	83/48/83 Shore A	DIN ISO 7619-1
Colour	Black/Grey/Black	

Ref. No.	Designation	Dimensions	Weight
549 9283	REMACLEAN CAB GREY	15 x 150 x 10 000 mm	2.81 kg/m
549 9300	REMACLEAN CAB GREY	15 x 2 000 x 10 000 mm	37.50 kg/m
549 9317	REMACLEAN CAB GREY	20 x 100 x 10 000 mm	2.50 kg/m
549 9331	REMACLEAN CAB GREY	20 x 150 x 10 000 mm	3.75 kg/m
549 9355	REMACLEAN CAB GREY	20 x 2 000 x 10 000 mm	50.00 kg/m
549 9379	REMACLEAN CAB GREY	25 x 120 x 10 000 mm	3.47 kg/m
549 9386	REMACLEAN CAB GREY	25 x 150 x 10 000 mm	4.58 kg/m
549 9410	REMACLEAN CAB GREY	25 x 250 x 10 000 mm	5.8 kg/m
549 9434	REMACLEAN CAB GREY	25 x 2 000 x 10 000 mm	61.00 kg/m
549 9506	REMACLEAN CAB GREY	30 x 2 000 x 10 000 mm	72.00 kg/m

### REMACLEAN KWA

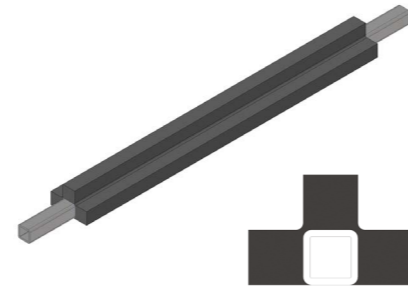
Highly abrasion resistant KWA rubber scraper bar for universal use with a rigid steel construction. Recommended to be fitted with tensioning device type INNOVATION, PRECISION or STANDARD.

#### Properties

- High-performance scraper which protects the belt
- Long service life due to wear-resistant REMA TIP TOP rubber quality
- Excellent cost-performance-ratio
- Three subsequently-usable scraper bars
- Easy fitment
- Designed for service temperatures from -40°C to +80°C and belt speeds up to 3.5 m/s
- Also suited for use with mechanical joints

#### Area of application

- Particularly suited for pre-cleaning
- Universally applicable for many types of materials such as moist sand and gravel, hard coal, clay, refuse and fat-containing material



REMACLEAN KWA

### REMACLEAN KWA

#### Specifications

Polymer basis	NR/BR	DIN ISO 1629
Specific weight	1.10 g/cm <sup>3</sup>	DIN EN ISO 1183-1
Hardness	63 Shore A	DIN ISO 7619-1
Colour	Black	

Ref. No.	Designation	Belt width
<b>578 7012</b>	<b>REMACLEAN KWA</b>	500 mm
<b>578 7029</b>	<b>REMACLEAN KWA</b>	650 mm
<b>578 7036</b>	<b>REMACLEAN KWA</b>	800 mm
<b>578 7043</b>	<b>REMACLEAN KWA</b>	1 000 mm
<b>578 7050</b>	<b>REMACLEAN KWA</b>	1 200 mm
<b>578 7270</b>	REMACLEAN KWA	1 400 mm
<b>578 7407</b>	REMACLEAN KWA	1 600 mm

### REMACLEAN KWA V

Highly abrasion resistant (KWA) rubber scraper bar for universal use with a rigid steel construction. V quality is self-extinguishing, antistatic and moderate oil resistant and therefore particularly suitable for the underground mining and for oil-containing conveyor goods. Recommended to be fitted with tensioning device type INNOVATION, PRECISION or STANDARD.

German underground approval: LOBA No. 18.43.21-91-24

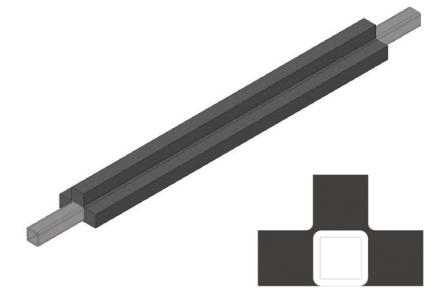
Polish underground approval: Dopuszczenie WUG Katowice No. B/1724/IV/2016

#### Properties

- High-performance scraper which protects the belt
- Long service life due to wear-resistant REMA TIP TOP rubber quality
- Excellent cost-performance-ratio
- Three subsequently-usable scraper bars
- Easy fitment
- Designed for service temperatures from -40°C to +80°C and belt speeds up to 3.5 m/s
- Suited for use with mechanical joints

#### Area of application

- Particularly suited for pre-cleaning
- Universally applicable for many types of materials such as moist sand and gravel, hard coal, clay, refuse and fat-containing material



REMACLEAN KWA V

### REMACLEAN KWA V

#### Specifications

Polymer basis	CR	DIN ISO 1629
Specific weight	1.39 g/cm <sup>3</sup>	DIN EN ISO 1183-1
Hardness	60 Shore A	DIN ISO 7619-1
Electric resistance	Antistatic*	DIN 22100-7
Inflammability	Self-extinguishing**	
Colour	Black	

Ref. No.	Designation	Belt width
<b>578 7225</b>	<b>REMACLEAN KWA V</b>	650 mm
<b>578 7232</b>	<b>REMACLEAN KWA V</b>	800 mm
<b>578 7249</b>	<b>REMACLEAN KWA V</b>	1 000 mm
<b>578 7256</b>	<b>REMACLEAN KWA V</b>	1 200 mm
<b>578 7263</b>	<b>REMACLEAN KWA V</b>	1 400 mm
<b>578 7311</b>	<b>REMACLEAN KWA V</b>	1 600 mm

\*Surface and volume resistivity < 1 x 10<sup>6</sup> Ohm, tested in accordance with DIN EN ISO 284, DIN IEC 93.

\*\*Fulfills DIN 22100-7 safety requirements (fire safety, hygiene, electrical).

## REMACLEAN PUR

Highly abrasion resistant polyurethane scraper bar for universal use with a rigid steel construction (special version with stainless steel construction available on request). EU quality is antistatic and resistant to hydrolysis and therefore particularly suitable for water-containing conveyor goods. Recommended to be fitted with tensioning device type INNOVATION, PRECISION or STANDARD.



REMACLEAN PUR

### Properties

- High-performance scraper which protects the belt
- Long service life due to wear-resistant REMA TIP TOP PUR quality
- Excellent cost-performance-ratio
- Two subsequently-usable scraper bars
- Easy fitment
- Designed for service temperatures from -30°C to +70°C and belt speeds up to 3.5 m/s
- Also suited for use with mechanical joints

### Area of application

- Particularly suited for pre-cleaning, moderately useable for fine cleaning
- Universally applicable for many types of materials such as moist sand and gravel, hard coal, lignite, clay, cement, gypsum, refuse and fat-containing material

## REMACLEAN PUR

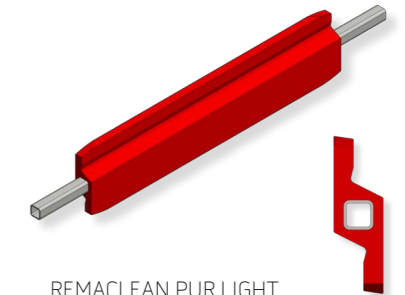
### Specifications

Polymer basis	PU	DIN ISO 1629
Hardness	90 Shore A	DIN ISO 7619-1
Colour	Brown	

Ref. No.	Designation	Belt width
578 7500	REMACLEAN PUR	500 mm
578 7517	REMACLEAN PUR	650 mm
578 7524	REMACLEAN PUR	800 mm
578 7531	REMACLEAN PUR	1 000 mm
578 7548	REMACLEAN PUR	1 200 mm
578 7555	REMACLEAN PUR	1 400 mm
578 7562	REMACLEAN PUR	1 600 mm

## REMACLEAN PUR LIGHT

Highly abrasion resistant polyurethane scraper bar for universal use with a rigid, weight reduced steel construction (special version with stainless steel construction available on request). EU quality is antistatic and resistant to hydrolysis and therefore particularly suitable for water-containing conveyor goods. Recommended to be fitted with tensioning device type INNOVATION, PRECISION or STANDARD.



REMACLEAN PUR LIGHT

### Properties

- High-performance scraper which protects the belt in lightweight version
- Long service life due to wear-resistant REMA TIP TOP PUR quality
- Excellent cost-performance-ratio
- Two subsequently-usable scraper bars
- Easy fitment
- Designed for service temperatures from -30°C to +70°C and belt speeds up to 2.5 m/s

### Area of application

- Particularly suited for pre-cleaning as well as main cleaner for dry materials
- Universally applicable for many types of materials such as moist sand and gravel, hard coal, lignite, clay, cement, gypsum, refuse and fat-containing material

## REMACLEAN PUR LIGHT

### Specifications

Polymer basis	PU	DIN ISO 1629
Hardness	64 Shore A	DIN ISO 7619-1
Colour	Red	

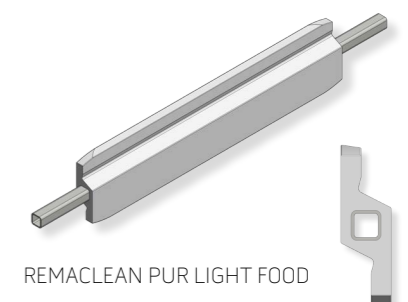
Ref. No.	Designation	Belt width	Dimensions support tube
578 7430	REMACLEAN PUR LIGHT	400 mm	30 x 30 mm
578 7440	REMACLEAN PUR LIGHT	500 mm	30 x 30 mm
578 7450	REMACLEAN PUR LIGHT	650 mm	30 x 30 mm
578 7460	REMACLEAN PUR LIGHT	800 mm	30 x 30 mm
578 7470	REMACLEAN PUR LIGHT	1 000 mm	30 x 30 mm
578 7480	REMACLEAN PUR LIGHT	1 200 mm	30 x 30 mm
578 7490	REMACLEAN PUR LIGHT	1 400 mm	30 x 30 mm

## REMACLEAN PUR LIGHT Food (foodstuff quality)

Special design of the PUR LIGHT FOOD made of PUR for use in food sectors, meets the requirements of FDA CFR 21 § 177.2600.

### Area of application:

- In all sectors of the industry where foodstuff quality is prescribed.



REMACLEAN PUR LIGHT FOOD



## REMACLEAN C

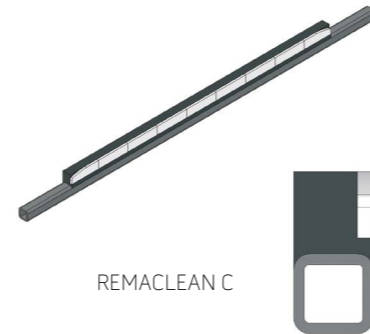
Highly abrasion resistant rubber scraper bar for universal use with ceramic material flexibly embedded in rubber and a rigid steel construction. Belt friendly cleaning due to rounded outer ceramic elements.

### Properties

- High-performance scraper which protects the belt
- Long service life due to wear-resistant REMA TIP TOP rubber quality
- Excellent cost-performance-ratio
- Easy fitment
- Designed for service temperatures from -40°C to +80°C and belt speeds up to 3.5 m/s
- Not suited for use with mechanical joints

### Area of application

- Particularly suited for pre-cleaning and just as well suited as main cleaner
- Universally applicable for many types of materials such as hard coal, lignite, clay, cement, gypsum, refuse and sticky material with a high water content
- Less suited for material containing quartz and fat



## REMACLEAN C

### Specifications

Polymer basis	NR/BR	DIN ISO 1629
Specific weight	1.09 g/cm <sup>3</sup>	DIN EN ISO 1183-1
Hardness	64 Shore A	DIN ISO 7619-1
Colour	Black	

Ref. No.	Designation	Belt width
578 7593	REMACLEAN C	400 mm
578 7603	<b>REMACLEAN C</b>	500 mm
578 7610	REMACLEAN C	650 mm
578 7627	REMACLEAN C	800 mm
578 7634	<b>REMACLEAN C</b>	1 000 mm
578 7641	<b>REMACLEAN C</b>	1 200 mm
578 8640	REMACLEAN C	1 400 mm
578 7665	REMACLEAN C	1 600 mm

## REMACLEAN M

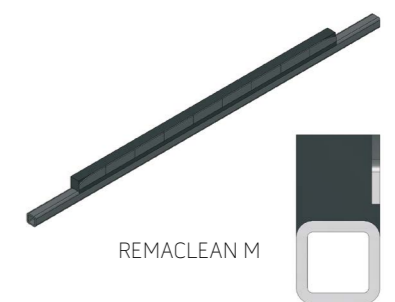
Highly abrasion resistant rubber scraper bar for universal use with tungsten carbide inserts flexibly embedded in rubber and a rigid steel construction. Belt friendly cleaning due to rounded outer carbide inserts. Recommended to be fitted with tensioning device type INNOVATION.

### Properties

- High-performance scraper which protects the belt
- Long service life due to wear-resistant REMA TIP TOP rubber quality
- Excellent cost-performance-ratio
- Easy fitment
- Designed for service temperatures from -40°C to +80°C and belt speeds up to 3.5 m/s
- Not suited for use with mechanical joints

### Area of application

- Particularly suited for pre-cleaning and just as well suited as main cleaner
- Universally applicable for many types of materials such as moist sand and gravel, hard coal, lignite, clay, cement, gypsum, refuse and very sticky and abrasive material
- Less suited for material containing fat



## REMACLEAN M

### Specifications

Polymer basis	NR/BR	DIN ISO 1629
Specific weight	1.09 g/cm <sup>3</sup>	DIN EN ISO 1183-1
Hardness	64 Shore A	DIN ISO 7619-1
Colour	Black	

Ref. No.	Designation	Belt width
578 9010	<b>REMACLEAN M</b>	500 mm
578 9027	REMACLEAN M	600 mm
578 9041	<b>REMACLEAN M</b>	800 mm
578 9072	<b>REMACLEAN M</b>	1 000 mm
578 9096	<b>REMACLEAN M</b>	1 200 mm
578 9106	REMACLEAN M	1 400 mm
578 9120	REMACLEAN M	1 600 mm

### REMACLEAN HML

Highly wear-resistant, universally usable scraper bar made from carbide with a nonstick coating and with a robust steel system carrier. A special version made from stainless or galvanised steel is also available. Recommended to be fitted with tensioning device type INNOVATION.

#### Properties

- High-performance scraper which protects the belt
- Long service life due to the high quality carbide plates
- Requires very little contact pressure due to very small carbide surface area
- Easy fitment
- For belt speeds up to 4.0 m/s
- Not suited for use with mechanical joints

#### Area of application

- Particularly suited for pre-cleaning and just as well suited as main cleaner
- Universally applicable for many types of materials such as moist sand and gravel, hard coal, lignite, clay, cement, gypsum, refuse and very quartz-rich, sticky and abrasive material
- HML HR Version for processes with temperatures up to 300°C



REMACLEAN HML

### REMACLEAN HML

Designed for service temperatures from -40°C to +80°C

Ref. No.	Designation	Belt width
578 2010	REMACLEAN HML	400 mm
578 2020	REMACLEAN HML	500 mm
578 2030	REMACLEAN HML	650 mm
578 2040	REMACLEAN HML	800 mm
578 2060	REMACLEAN HML	1 000 mm
578 2070	REMACLEAN HML	1 200 mm

### REMACLEAN pipe adapter

Designed for service temperatures from 40°C to +80°C

Ref. No.	Designation
578 2120	REMACLEAN pipe adapter D50 for pipe 30 x 30 mm for KWA, C, M, PUR, HML PUR LIGHT, HML HR
578 1990	REMACLEAN pipe adapter D60 for pipe 40 x 40 mm for KWA, C, M, PUR, HML PUR LIGHT, HML HR



Adapter bar for QR 30



Adapter bar for QR 40

### REMACLEAN HML HR

Suitable for temperatures up to 300°C

Ref. No.	Designation	Belt width
578 2011	REMACLEAN HML HR	400 mm
578 2021	REMACLEAN HML HR	500 mm
578 2031	REMACLEAN HML HR	650 mm
578 2041	REMACLEAN HML HR	800 mm
578 2051	REMACLEAN HML HR	900 mm
578 2061	REMACLEAN HML HR	1 000 mm
578 2071	REMACLEAN HML HR	1 200 mm



REMACLEAN HML HR

### REMACLEAN STANDARD

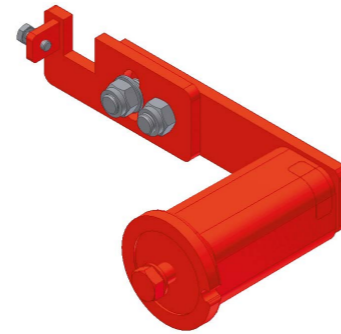
Tension unit for universal use with torsion element and support arm with adjustable angle for optimum inspection and servicing of the system. Extremely long service life. Vibration absorbing and flexible due to integrated rubber spring elements. Can be retrofitted with reversing stop that can also be used as a buffer for the support arm.

#### Properties

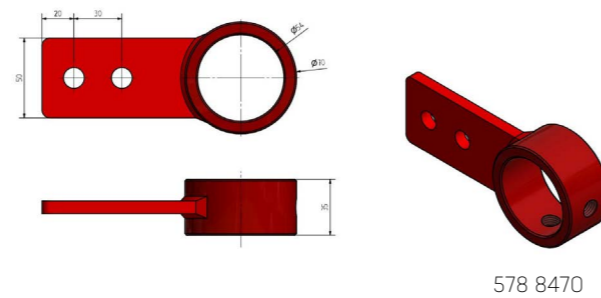
- Extremely long-lasting
- Easy fitting - can also retroactively be fitted to all conveyor belt systems with minimal effort
- Quick and easy scraper bar exchange
- Consistent cleaning performance through consistent contact pressure
- Low design height
- Maintenance-free, resulting in minimal time needed for inspection and maintenance
- Designed for service temperatures from -40 °C to +80 °C, belt speeds up to 3.5 m/s and belt widths from 400 to 1 600 mm
- Suited for use with mechanical joints

#### Area of application

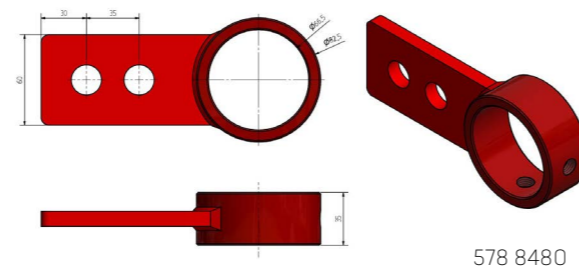
- Particularly suited for scraper bars made from rubber or Polyurethane with square support tubes such as REMACLEAN KWA/PUR



REMACLEAN STANDARD



578 8470



578 8480

### REMACLEAN STANDARD

Ref. No.	Designation	For belt width	Content
<b>578 8389</b>	<b>REMACLEAN STANDARD includes 2x Tensioning devices SE 27, 2x Holders SE 27, Screws</b>	400 - 800 mm	1 pair
<b>578 8406</b>	<b>Tensioning device SE 27</b>		1 piece
<b>578 8420</b>	<b>Holder SE 27</b>		1 piece
<b>578 8470</b>	<b>Scraper bar holder for Rosta SE27 D= 50 mm</b>		1 piece
<b>578 8396</b>	<b>REMACLEAN STANDARD includes 2x Tensioning devices SE 38, 2x Holders SE 38, Screws</b>	1 000 - 1 600 mm	1 pair
<b>578 8413</b>	<b>Tensioning device SE 38</b>		1 piece
<b>578 8437</b>	<b>Holder SE 38</b>		1 piece
<b>578 8480</b>	<b>Scraper bar holder for Rosta SE38 D= 60 mm</b>		1 piece

### REMACLEAN PRECISION

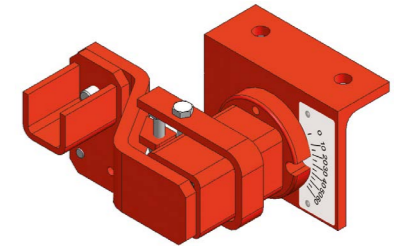
Tension unit for universal use with torsion element and support arm with pivoting mechanism for precise 90° adjustment of the scraper to the belt as well as a scale for setting the contact pressure for optimum inspection and servicing of the system. Extremely long service life. Vibration absorbing and flexible due to integrated rubber spring elements. Can be retrofitted with reversing stop that can also be used as a buffer for the support arm.

#### Properties

- Extremely long-lasting
- Quick and easy scraper bar exchange
- Consistent cleaning performance through consistent contact pressure
- Low design height
- Maintenance-free, resulting in minimal time needed for inspection and maintenance
- Designed for service temperatures from -40°C to +80°C, belt speeds up to 3.5 m/s
- For belt widths from 400 to 1 800 mm
- Suited for use with mechanical joints

#### Area of application

- Particularly suited for scraper bars made from rubber or Polyurethane with square support tubes such as REMACLEAN KWA/PUR/C/M



REMACLEAN PRECISION

### REMACLEAN PRECISION

Ref. No.	Designation	For belt width	Content
<b>578 8310</b>	<b>REMACLEAN PRECISION</b>	400 - 800 mm	1 pair
<b>578 8341</b>	<b>REMACLEAN PRECISION</b>	1 000 mm	1 pair
<b>578 8358</b>	<b>REMACLEAN PRECISION</b>	1 200 - 1 800 mm	1 pair

### REMACLEAN INNOVATION

Tension unit for universal use with torsion element and support arm with pivoting mechanism for precise 90° adjustment of the scraper to the belt as well as a scale for setting the contact pressure for optimum inspection and servicing of the system. The contact pressure can be continuously adjusted via a tension spindle (display for adjustment included). Extremely long service life. Vibration absorbing and flexible due to integrated rubber spring elements. Can be retrofitted with reversing stop that can also be used as a buffer for the support arm.

\*Provided the condition of a explicit authorization of the plant operator.

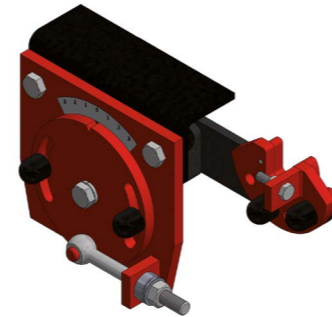
#### Properties

- Extremely long-lasting
- Easy fitting - can also retroactively be fitted to all conveyor belt systems with minimal effort
- Quick and easy scraper bar exchange
- Consistent cleaning performance through consistent contact pressure
- Low design height, compact construction
- Maintenance-free, resulting in minimal time needed for inspection and maintenance
- Integrated preload indicator

- Designed for service temperatures from -40°C to +80°C, belt speeds up to 4.0 m/s
- For belt widths from 400 up to 1 800 mm
- Suited for use with mechanical joints

#### Area of application

- Particularly suited for scraper bars made from carbide, rubber or polyurethane with square support tubes such as REMACLEAN KWA/PUR/C/M and particularly HML



REMACLEAN INNOVATION

### REMACLEAN INNOVATION

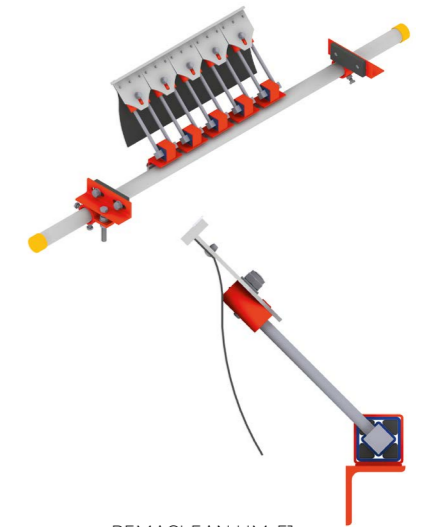
Ref. No.	Designation	For belt width	Dimensions	Content
578 8320	REMACLEAN INNOVATION 30 x 30 mm	400 - 800 mm	30 x 30 mm	1 pair
578 8330	REMACLEAN INNOVATION 40 x 40 mm	1 000 mm	40 x 40 mm	1 pair
578 8360	REMACLEAN INNOVATION 40 x 40 mm	1 200 - 1 800 mm	40 x 40 mm	1 pair

### REMACLEAN HM-F1

Belt scraper system with individual elastically supported tungsten carbide blades and a spindle-type tension unit for cleaning of conveyor belt top covers at the head pulley. The solid design of the support tube, where the tungsten carbide segments are elastically mounted, allow the system to be used for belt speeds up to 6.5 m/s. The tungsten carbide blades optimally adjust to the belt surface and guarantee effective and belt friendly cleaning as well as long service life and high reliability.

#### Properties

- High cleaning efficiency through ideal adaptation of the carbide blades (flexibly and individually mounted) to the belt surface
- Long service life through the use of highly wear-resistant carbide and low-friction, non-stick skirting
- Easy fitment of the scraper beneath the pulley axis (outside of the material's main flow)
- Consistent contact pressure through low-maintenance and high-quality rubber torsion elements
- Open construction of the carbide carriers and the torsion elements for unhampered dispersion of material
- The tensioning device can be shifted inside or outside of the conveyor belt construction
- Also suited for reverse operation
- Designed for service temperatures from -40°C to +80°C, belt speeds up to 6.5 m/s
- For belt widths up to 2 400 mm and pulley diameters up to 2 000 mm
- Not suited for use with mechanical joints



REMACLEAN HM-F1

#### Area of application

- Universally applicable as a pre-cleaner or main cleaner for many types of materials such as sand, gravel, hard coal, lignite, ores, sinter, cement and in the chemical industry

### REMACLEAN HM-F1

Ref. No.	Designation	Belt width
578 2158	REMACLEAN HM-F1	650 mm
578 2165	REMACLEAN HM-F1	800 mm
578 2189	REMACLEAN HM-F1	1 000 mm
578 2196	REMACLEAN HM-F1	1 200 mm
578 2206	REMACLEAN HM-F1	1 400 mm
578 2213	REMACLEAN HM-F1	1 600 mm
578 2220	REMACLEAN HM-F1	1 800 mm
578 2237	REMACLEAN HM-F1	2 000 mm
578 2244	REMACLEAN HM-F1	2 200 mm
578 2251	REMACLEAN HM-F1	2 400 mm

### Spare and wear parts – REMACLEAN HM-F1

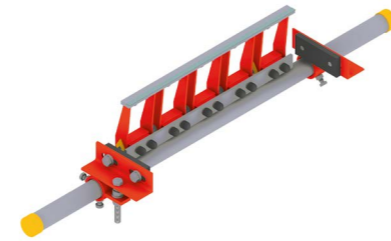
Ref. No.	Designation
578 3803	Hard metal scraper segment HMT-F1, with PE deflector apron, center
578 1080	Hard metal scraper segment HMT-F1, with PE deflector apron, right
578 1070	Hard metal scraper segment HMT-F1, with PE deflector apron, left



Hard metal scraper segment

### REMACLEAN HM-F2

Belt scraper system with individual elastically supported tungsten carbide blades and a spindle-type tension unit for cleaning of conveyor belt top covers at the head pulley. The individual elastically supported tungsten carbide blades can pivot about the axis of the joint. Therefore the tungsten carbide blades optimally adjust to the belt surface and guarantee effective and belt friendly cleaning. The scraper blade is tensioned by a spindle type tension unit. The outer tungsten carbide segments are equipped with an indicator showing the contact pressure of the blades.



REMACLEAN HM-F2

#### Properties

- High cleaning efficiency through ideal adaptation of the carbide blades (flexibly and individually mounted) to the belt surface
- Long service life through the use of highly wear-resistant carbide and lowfriction, non-stick skirting
- Easy fitment of the scraper beneath the pulley axis (outside of the material's main flow)
- Open construction of the carbide carriers and the torsion elements for unhampered dispersion of material
- Easily fitted and adjusted, low-maintenance through rubber torsion elements
- Consistent and ideal contact pressure; easily adjustable and definable
- Consistent contact pressure through low-maintenance and high-quality rubber torsion elements
- The tensioning device can be shifted inside or outside of the conveyor belt construction
- Also suited for reverse operation
- Designed for service temperatures from -40°C to +80°C, belt speeds up to 4.5 m/s

to 4.5 m/s

- A special version in stainless steel and heat-resistant up to +120°C is also available
- Not suited for use with mechanical joints

#### Area of application

- Universally applicable as a pre-cleaner or main cleaner for many types of materials such as sand, gravel, hard coal, lignite, ores, sinter, cement and in the chemical industry

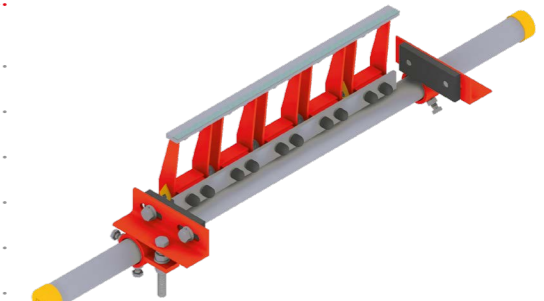
### REMACLEAN HM-F2

Ref. No.	Designation	Belt width
578 3009	REMACLEAN HM-F2	400 mm
578 3016	REMACLEAN HM-F2	500 mm
578 3023	REMACLEAN HM-F2	650 mm
578 3030	REMACLEAN HM-F2	800 mm
578 3054	REMACLEAN HM-F2	1 000 mm
578 1001	REMACLEAN HM-F2	1 200 mm
578 1018	REMACLEAN HM-F2	1 400 mm
578 1025	REMACLEAN HM-F2	1 600 mm
578 1032	REMACLEAN HM-F2	1 800 mm
578 1049	REMACLEAN HM-F2	2 000 mm

### REMACLEAN HM-F2 HR

Special model for use at temperatures up to 120°C.

Ref. No.	Designation	Belt width
578 1221	REMACLEAN HM-F2 HR	500 mm
578 1238	REMACLEAN HM-F2 HR	650 mm
578 1245	REMACLEAN HM-F2 HR	800 mm
578 1269	REMACLEAN HM-F2 HR	1 000 mm
578 1276	REMACLEAN HM-F2 HR	1 200 mm
578 1283	REMACLEAN HM-F2 HR	1 400 mm

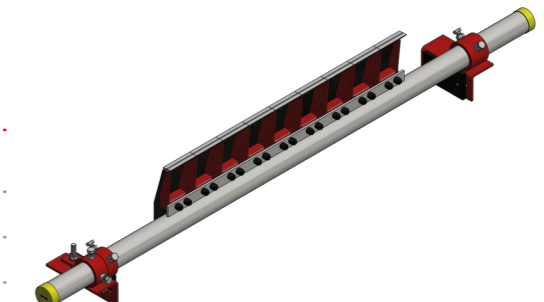


REMACLEAN HM-F2 HR

### REMACLEAN HM-F2 S

Special version designed for especially hard rock materials. The hard-metal blades contain 2 pcs. hard metals.

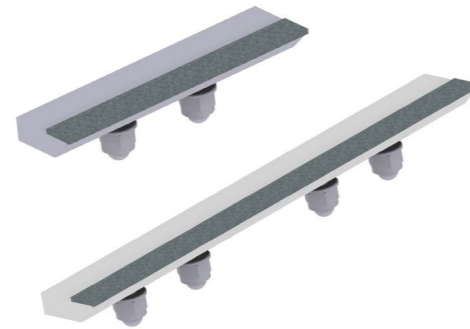
Ref. No.	Designation	Belt width
578 3024	REMACLEAN HM-F2-650 S	650 mm
578 3031	REMACLEAN HM-F2-800 S	800 mm
578 3055	REMACLEAN HM-F2-1000 S	1 000 mm
578 1002	REMACLEAN HM-F2-1200 S	1 200 mm
578 1019	REMACLEAN HM-F2-1400 S	1 400 mm



REMACLEAN HM-F2 S

Spare and wear parts – REMACLEAN HM-F2 / HM-F2 HR

Ref. No.	Designation	Width
578 3250	Hard metal scraper segment HMT-F2/120, middle	120 mm
578 3267	Hard metal scraper segment HMT-F2/120, right	120 mm
578 3274	Hard metal scraper segment HMT-F2/120, left	120 mm
578 0435	Hard metal scraper segment HMT-F2/240, middle	240 mm
578 0442	Hard metal scraper segment HMT-F2/240, right	240 mm
578 0459	Hard metal scraper segment HMT-F2/240, left	240 mm
578 3243	Torsion element HM-F2	
578 3951	Torsion element HM-F2 HR, up to 120°C	
578 3990	Torsion element HM-F2, long	250 mm
578 3991	Torsion element HM-F2, long	250 mm
578 3992	Torsion element HM-F2, long	250 mm



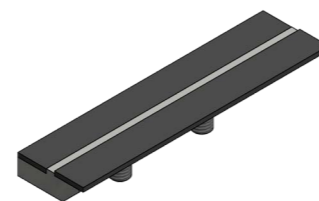
Hard metal scraper segment



Torsion element

REMACLEAN HM-F2 S

Ref. No.	Designation	Width
578 3268	REMACLEAN HMT-F2/120 S right	120 mm
578 3251	REMACLEAN HMT-F2/120 S middle	120 mm
578 3275	REMACLEAN HMT-F2/120 S left	120 mm



Hard metal scraper segment F2 S

REMACLEAN HM-F2 VA

Stainless steel model for corrosive media and the food industry. Material 1.4571 (VA).

Ref. No.	Designation	Belt width
578 0167	REMACLEAN HM-F2 VA	400 mm
578 0174	REMACLEAN HM-F2 VA	500 mm
578 0181	REMACLEAN HM-F2 VA	650 mm
578 0198	REMACLEAN HM-F2 VA	800 mm
578 0215	REMACLEAN HM-F2 VA	1 000 mm
578 0497	REMACLEAN HM-F2 VA	1 200 mm
578 0507	REMACLEAN HM-F2 VA	1 400 mm
578 0514	REMACLEAN HM-F2 VA	1 600 mm



REMACLEAN HM-F2 VA

Spare and wear parts – REMACLEAN HM-F2 VA

Material 1.4571 (VA).

Ref. No.	Designation	Width
578 0222	Hard metal scraper segment HMT-F2 VA, middle	120 mm
578 0239	Hard metal scraper segment HMT-F2 VA, right	120 mm
578 0246	Hard metal scraper segment HMT-F2 VA, left	120 mm
578 0253	Torsion element HM-F2 VA	
578 0980	REMACLEAN HM-F2 Torsion element VA, right	250 mm
578 0981	REMACLEAN HM-F2 Torsion element VA, middle	250 mm
578 0982	REMACLEAN HM-F2 Torsion element VA, left	250 mm



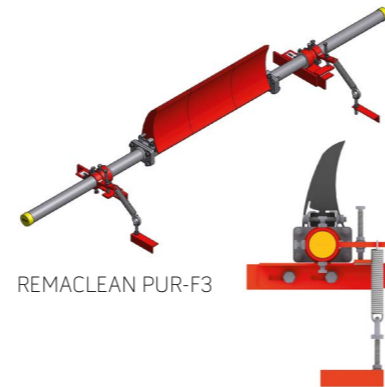
Hard metal scraper segment F2 VA



Torsion element VA

## REMACLEAN PUR-F3 / PUR-F3 MONOBLOCK

Belt scraper system with a polyurethane blade and a spring lever tension unit for the cleaning of conveyor belt top covers at the head pulley. The polyurethane blade is attached to the system support structure yet can revolve around its own axis, if necessary. The scraper blade optimally adjusts to the belt surface and guarantees effective and belt friendly cleaning. Precise contact pressure is achieved by a spring lever tension. The execution of the PUR in blue is suitable for temperatures up to 100°C and 100% humidity.



### Properties

- Highly effective cleaning through perfect adaptation of the polyurethane bar to the belt's surface
- Long service life through the use of highly wear-resistant polyurethane
- Suitable for use with mechanical joints
- Easily fitted and adjusted, low-maintenance due to the use of the tension springs
- Also suited for reverse operation and for use with spherical pulleys
- A version for underground use is also available (ATEX-suitable) as well as a special version in stainless steel
- For belt widths up to 2 200 mm and pulley diameters from 220 up to 500 mm
- Designed for temperature ranges of -40°C to +70°C and belt speeds up to 4.0 m/s
- Special blue version available for temperature up to 120°C and humidity up to 100%.

### Area of application

- Universally applicable as a pre-cleaner or main cleaner for many types of materials such as sand, gravel, hard coal, lignite, ores, sinter, cement and in the chemical industry
- The version with MONOBLOCK-PUR bars is especially recommended for the recycling and paper industry

## REMACLEAN PUR-F3 / PUR-F3 MONOBLOCK

Ref. No.	Designation	Belt width
578 5504	REMACLEAN PUR-F3	500 mm
578 5505	REMACLEAN PUR-F3	650 mm
578 5506	REMACLEAN PUR-F3	800 mm
578 5507	REMACLEAN PUR-F3	1 000 mm
578 5508	REMACLEAN PUR-F3	1 200 mm
578 5509	REMACLEAN PUR-F3	1 400 mm
578 5510	REMACLEAN PUR-F3	1 600 mm
578 5511	REMACLEAN PUR-F3	1 800 mm
578 5512	REMACLEAN PUR-F3	2 000 mm
578 5513	REMACLEAN PUR-F3	2 200 mm
578 6270	REMACLEAN PUR-F3-650 MONOBLOCK	650 mm
578 6271	REMACLEAN PUR-F3-800 MONOBLOCK	800 mm
578 6272	REMACLEAN PUR-F3-1000 MONOBLOCK	1 000 mm
578 6273	REMACLEAN PUR-F3-1200 MONOBLOCK	1 200 mm
578 6274	REMACLEAN PUR-F3-1400 MONOBLOCK	1 400 mm
578 6275	REMACLEAN PUR-F3-1600 MONOBLOCK	1 600 mm

## Spare and wear parts

### REMACLEAN PUR-F3 Red

Ref. No.	Designation	Width
578 5501	PUR-SEGMENT F3	200 mm
578 5502	PUR-SEGMENT F3	300 mm
578 5503	PUR-SEGMENT F3	400 mm
578 5581	PUR-SEGMENT F3 V	300 mm
578 5591	PUR-SEGMENT F3 V	400 mm



### REMACLEAN PUR-F3 MONOBLOCK Red

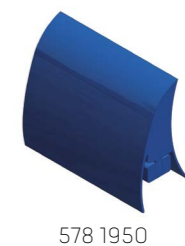
Ref. No.	Designation	Width
578 1910	REMACLEAN SEGMENT PUR-F3 MONOBLOCK Red	600 mm
578 1911	REMACLEAN SEGMENT PUR-F3 MONOBLOCK Red	700 mm
578 1912	REMACLEAN SEGMENT PUR-F3 MONOBLOCK Red	900 mm
578 1913	REMACLEAN SEGMENT PUR-F3 MONOBLOCK Red	1 100 mm
578 1914	REMACLEAN SEGMENT PUR-F3 MONOBLOCK Red	1 300 mm
578 1915	REMACLEAN SEGMENT PUR-F3 MONOBLOCK Red	1 500 mm



### REMACLEAN PUR-F3 Blue

Blue PUR segments for operating temperature up to 100°C (for a short time 120°C) and 100% relative humidity.

Ref. No.	Designation	Width
578 1950	REMACLEAN SEGMENT PUR-F3 Blue	300 mm
578 1951	REMACLEAN SEGMENT PUR-F3 Blue	400 mm



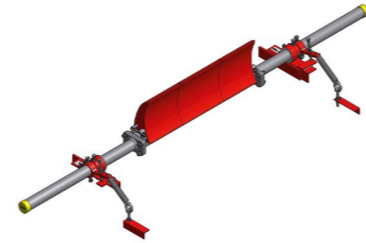
### REMACLEAN PUR-F3 MONOBLOCK Blue

Ref. No.	Designation	Width
578 1940	REMACLEAN SEGMENT PUR-F3 MONOBLOCK Blue	600 mm
578 1941	REMACLEAN SEGMENT PUR-F3 MONOBLOCK Blue	700 mm
578 1942	REMACLEAN SEGMENT PUR-F3 MONOBLOCK Blue	900 mm
578 1943	REMACLEAN SEGMENT PUR-F3 MONOBLOCK Blue	1 100 mm



### REMACLEAN PUR-F4 A / PUR-F4 MONOBLOCK

Primary belt scraper system with a polyurethane blade and a spring lever tension unit for the cleaning of conveyor belt top covers at the head pulley. The polyurethane blade is attached to the system support structure yet can revolve around its own axis, if necessary. The scraper blade optimally adjusts to the belt surface and guarantees effective and belt friendly cleaning. Precise contact pressure is achieved by a spring lever tension unit.



REMACLEAN PUR-F4 A

#### Properties

- Highly effective cleaning through perfect adaptation of the polyurethane bar to the belt's surface
- Long service life through the use of highly wear-resistant polyurethane
- Suitable for use with mechanical joints
- Easily fitted and adjusted, low-maintenance due to the use of the tension springs
- Best used as pre-cleaner for more problematic materials
- Also suited for reverse operation and for use with spherical pulleys
- A version for underground use is also available (ATEX-suitable) as well as a special version in stainless steel
- For belt widths up to 2 400 mm and pulley diameters from 500 up to 1 600 mm
- Designed for temperature ranges of -40°C to +70°C and belt speeds up to 4.0 m/s
- Special blue version available for temperature up to 120°C and humidity up to 100%.

#### Area of application

- Universally applicable as a pre-cleaner or main cleaner for many types of materials such as sand, gravel, hard coal, lignite, ores, sinter, cement and in the chemical industry

### REMACLEAN PUR-F4 A / PUR-F4 MONOBLOCK

Ref. No.	Designation	Belt width
578 5700	REMACLEAN PUR-F4 A	500 mm
578 5710	REMACLEAN PUR-F4 A	650 mm
578 5720	REMACLEAN PUR-F4 A	800 mm
578 5730	REMACLEAN PUR-F4 A	1 000 mm
578 5740	REMACLEAN PUR-F4 A	1 200 mm
578 5750	REMACLEAN PUR-F4 A	1 400 mm
578 5760	REMACLEAN PUR-F4 A	1 600 mm
578 5770	REMACLEAN PUR-F4 A	1 800 mm
578 5780	REMACLEAN PUR-F4 A	2 000 mm
578 5551	REMACLEAN PUR-F4 A	2 200 mm
578 5553	REMACLEAN PUR-F4 A	2 400 mm
578 6280	REMACLEAN PUR-F4 MONOBLOCK	650 mm
578 6281	REMACLEAN PUR-F4 MONOBLOCK	800 mm
578 6282	REMACLEAN PUR-F4 MONOBLOCK	1 000 mm
578 6283	REMACLEAN PUR-F4 MONOBLOCK	1 200 mm
578 6284	REMACLEAN PUR-F4 MONOBLOCK	1 400 mm
578 6285	REMACLEAN PUR-F4 MONOBLOCK	1 600 mm

### Spare and wear parts

#### REMACLEAN PUR-F4 A Red

Ref. No.	Designation	Width
578 5521	Segment PUR-F4	200 mm
578 5522	Segment PUR-F4	300 mm
578 5523	Segment PUR-F4	400 mm
578 5580	Segment PUR-F4 V	300 mm
578 5590	Segment PUR-F4 V	400 mm



578 5522

578 5523

#### REMACLEAN PUR-F4 MONOBLOCK Red

Ref. No.	Designation	Width
578 1910	REMACLEAN SEGMENT PUR-F3 MONOBLOCK Red	600 mm
578 1911	REMACLEAN SEGMENT PUR-F3 MONOBLOCK Red	700 mm
578 1912	REMACLEAN SEGMENT PUR-F3 MONOBLOCK Red	900 mm
578 1913	REMACLEAN SEGMENT PUR-F3 MONOBLOCK Red	1 100 mm
578 1914	REMACLEAN SEGMENT PUR-F3 MONOBLOCK Red	1 300 mm
578 1915	REMACLEAN SEGMENT PUR-F3 MONOBLOCK Red	1 500 mm



578 1932

#### REMACLEAN PUR-F4 Blau

Blue PUR segments for operating temperature up to 100°C (for a short time 120°C) and 100% relative humidity.

Ref. No.	Designation	Width
578 1960	REMACLEAN SEGMENT PUR-F4-300 Blue	300 mm
578 1961	REMACLEAN SEGMENT PUR-F4-400 Blue	400 mm



578 1961

#### REMACLEAN PUR-F4 MONOBLOCK Blau

Ref. No.	Designation	Width
578 1930	REMACLEAN SEGMENT PUR-F4-600 MONOBLOCK Blue	600 mm
578 1931	REMACLEAN SEGMENT PUR-F4-700 MONOBLOCK Blue	700 mm
578 1932	REMACLEAN SEGMENT PUR-F4-900 MONOBLOCK Blue	900 mm
578 1933	REMACLEAN SEGMENT PUR-F4-1100 MONOBLOCK Blue	1 100 mm



578 1932

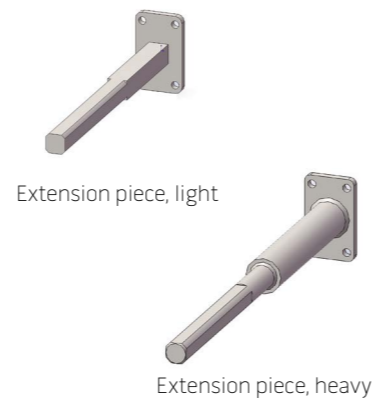


Spare and wear parts – REMACLEAN PUR-F3/PUR-F4 A

Ref. No.	Designation	Width
578 5541	RC CONSTR.F.PUR-F3/F4-650 w/o PUR blade	650 mm
578 5542	RC CONSTR.F.PUR-F3/F4-800 w/o PUR blade	800 mm
578 5543	RC CONSTR.F.PUR-F3/F4-1000 w/o PUR blade	1000 mm
578 5544	RC CONSTR.F.PUR-F3/F4-1200 w/o PUR blade	1200 mm
578 5545	RC CONSTR.F.PUR-F3/F4-1400 w/o PUR blade	1400 mm
578 5546	RC CONSTR.F.PUR-F3/F4-1600 w/o PUR blade	1600 mm
578 5547	RC CONSTR.F.PUR-F3/F4-1800 w/o PUR blade	1800 mm
578 5548	RC CONSTR.F.PUR-F3/F4-2000 w/o PUR blade	2000 mm
578 5549	RC CONSTR.F.PUR-F3/F4-2200 w/o PUR blade	2200 mm



Ref. No.	Designation
578 4990	Extension piece for steel frame - light for PUR-F3 /PUR-F4 / PUR-F4 A and tensioning unit PUR-F5
578 4991	Extension piece for steel frame - heavy for PUR-F3 /PUR-F4 / PUR-F4 A and tensioning unit PUR-F5
578 4992	Extension piece for steel frame - VA for PUR-F3 /PUR-F4 / PUR-F4 A and tensioning unit PUR-F5



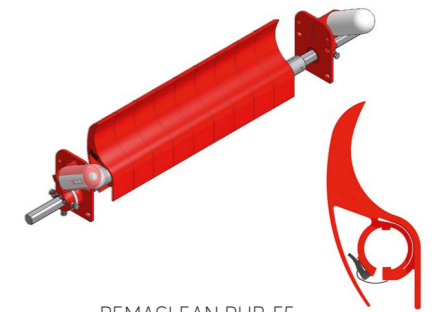
**Note:**  
For special cases use steel construction F3/F4 and complete with suitable PUR Segments PUR-F3 or PUR-F4.

REMACLEAN PUR-F5

Conveyor belt cleaning system with a scraper consisting of polyurethane segments and a lever tensioning system with a compression spring for cleaning the conveyor belt load-bearing side at the head pulley. The individual polyurethane segments are permanently attached to the support. Thanks to a special function, the segments can always move elastically. This allows the segments to contact the conveyor belt surface at the drum optimally and ensures effective and gentle cleaning. The entire scraper strip is exactly pretensioned at one or both sides by means of the lever tensioning unit.

**Properties**

- High cleaning efficiency through perfect adaptation of the polyurethane segments to the belt's surface
- Long service life through the use of highly wear-resistant polyurethane
- Easily fitted and adjusted, low-maintenance
- Each segment is mounted to the system carrier with a quick-tensioning fastener
- Consistent and ideal contact pressure; easily adjustable and, through the length of the cylinder spring, easily definable; a pretension indicator is provided
- Up to a belt width of 1 400 mm pretensioning occurs from only one side
- PUR segments are also available in the natural colour white
- Stainless steel system carrier available
- Segment width of 100 mm
- For belt widths up to 1 600 mm and pulley diameters from 240 up to 800 mm
- Designed for the highest loads with temperature ranges of -40°C to +60°C



and belt speeds up to 4.0 m/s

**Area of application**

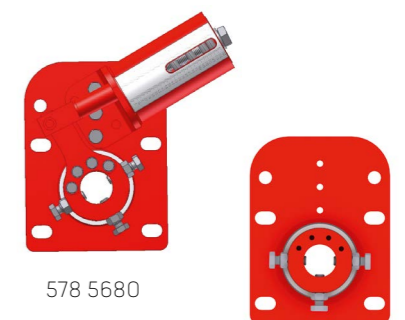
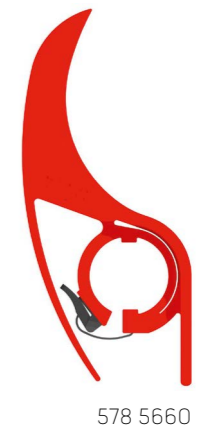
- Universally applicable as a pre-cleaner or main cleaner for many types of materials such as sand, gravel, hard coal, lignite, ores, sinter, cement and in the chemical industry

REMACLEAN PUR-F5

Ref. No.	Designation	Belt width
578 5600	REMACLEAN PUR-F5	500 mm
578 5610	REMACLEAN PUR-F5	650 mm
578 5620	REMACLEAN PUR-F5	800 mm
578 5630	REMACLEAN PUR-F5	1 000 mm
578 5640	REMACLEAN PUR-F5	1 200 mm
578 5650	REMACLEAN PUR-F5	1 400 mm
578 5651	REMACLEAN PUR-F5	1 600 mm

Spare and wear parts – REMACLEAN PUR-F5

Ref. No.	Designation	Width
578 5660	Segment PUR-F5	100 mm
578 5670	Mounting plate PUR-F5, with bearing	
578 5680	Mounting plate PUR-F5, with bearing and tensioning device	



BELT CLEANING SYSTEMS  
REMACLEAN – F-Series – for use on pulley

REMACLEAN PUR-F6

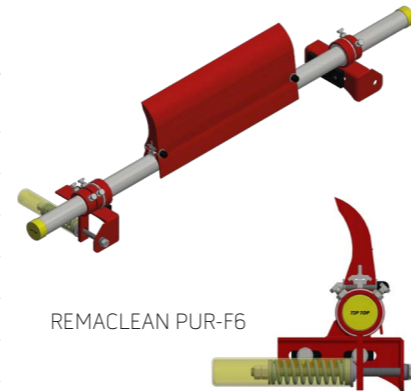
Basic belt cleaning system with a polyurethane scraper (PUR) and a lever tension unit with compression springs for the cleaning of conveyor belt carrying side at the discharge pulley. The scraper contains a mounting rail made of aluminum, for easy fitting on to the system carrier and is connected through a socket pin with the system carrier. The PUR blade adjusts optimally to the belt surface and guarantees effective and belt-friendly cleaning. Precise contact pressure of the whole blade is achieved by a spring lever tension unit.

**Properties**

- Light scraper system for small pulleys and narrow belt widths
- Highly effective cleaning through perfect adaptation of the polyurethane bar to the pulley
- Long service life through the use of highly wear-resistant polyurethane
- Easily fitted and adjusted; Contact pressure with the lever clamping device
- Useable as pre-cleaner or main cleaner
- Also suited for reverse operation
- System carrier is mounted on pivot bearings to ensure good rotational mobility
- For belt widths from 500 mm up to 1.600 mm
- Suitable for pulley diameters from 160 mm up to 630 mm
- Designed for service temperatures from -40°C to 70°C and belt speeds up to 2.5 m/s
- ATEX version on request

**Area of application**

- Developed for light conveying systems and fine-grained material
- Especially recommended for narrow belt widths
- Continuous PUR blade, oil and grease resistant, can be used in the recycling industry



REMACLEAN PUR-F6

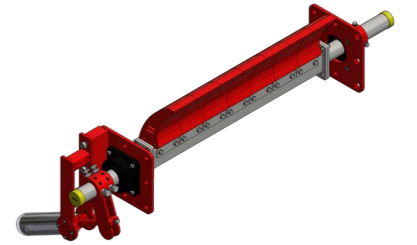
Ref. No.	Designation	Belt width
578 6510	REMACLEAN PUR-F6	500 mm
578 6511	REMACLEAN PUR-F6	650 mm
578 6512	REMACLEAN PUR-F6	800 mm
578 6513	REMACLEAN PUR-F6	1 000 mm
578 6514	REMACLEAN PUR-F6	1 200 mm
578 6515	REMACLEAN PUR-F6	1 400 mm
578 6516	REMACLEAN PUR-F6	1 600 mm

Ref. No.	Designation	Width
578 6520	REMACLEAN-SEGMENT PUR-F6	300 mm
578 6521	REMACLEAN-SEGMENT PUR-F6	450 mm
578 6523	REMACLEAN-SEGMENT PUR-F6	750 mm
578 6522	REMACLEAN-SEGMENT PUR-F6	600 mm
578 6524	REMACLEAN-SEGMENT PUR-F6	800 mm
578 6525	REMACLEAN-SEGMENT PUR-F6	950 mm
578 6526	REMACLEAN-SEGMENT PUR-F6	1 000 mm
578 6527	REMACLEAN-SEGMENT PUR-F6	1 150 mm
578 6528	REMACLEAN-SEGMENT PUR-F6	1 200 mm
578 6529	REMACLEAN-SEGMENT PUR-F6	1 350 mm
578 6530	REMACLEAN-SEGMENT PUR-F6	1 400 mm
578 6531	REMACLEAN-SEGMENT PUR-F6	1 550 mm

BELT CLEANING SYSTEMS  
REMACLEAN – F-Series – for use on pulley

REMACLEAN PUR-F7

Heavy version of belt cleaning system with scraper made of polyurethane segments and a lever tension unit with compression springs for the cleaning of conveyor belt carrying side at the discharge pulley. The PUR blade consists of several segments, which are each fastened with a clamping plate on to the system carrier. The scraper blade adjusts well to the belt surface and guarantees effective and belt-friendly cleaning. Precise contact pressure of the whole blade is achieved by a spring lever tension unit.



REMACLEAN PUR-F7

**Properties**

- Heavy duty version for pulley diameters from 630 mm and belt widths from 1000 mm
- Highly effective cleaning through perfect adaptation of the polyurethane bar to the pulley
- Long service life through the use of highly wear-resistant polyurethane
- Easily fitted and adjusted; Contact pressure with the lever clamping device
- Recommended as pre - cleaning system at high flow rates
- Also suited for reverse operation
- System carrier is mounted on pivot bearings to ensure good rotational mobility

- For belt widths from 1000 mm up to 2.400 mm
- Suitable for pulley diameters from 630 mm up to 1.600 mm
- Designed for service temperatures from -40°C to 70°C and belt speeds up to 6.5 m/s

**Area of application**

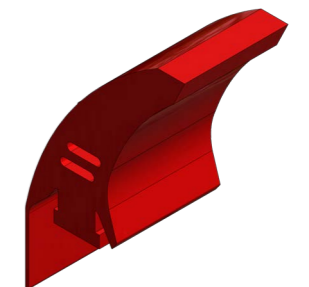
- Designed for heavy duty conveying systems and coarse material
- Universally applicable to all types of materials
- Recommended for use in opencast mines, ore mines, transshipment ports etc.
- Particularly suitable for large belt widths

REMACLEAN PUR-F7

Ref. No.	Designation	Belt width
578 6671	REMACLEAN PUR-F7	1 000 mm
578 6672	REMACLEAN PUR-F7	1 200 mm
578 6673	REMACLEAN PUR-F7	1 400 mm
578 6674	REMACLEAN PUR-F7	1 600 mm
578 6675	REMACLEAN PUR-F7	1 800 mm
578 6676	REMACLEAN PUR-F7	2 000 mm
578 6677	REMACLEAN PUR-F7	2 200 mm
578 6678	REMACLEAN PUR-F7	2 400 mm

Spare and wear parts – REMACLEAN PUR-F7

Ref. No.	Designation	Width
578 6670	REMACLEAN-SEGMENT PUR-F7	153 mm



### REMACLEAN PUR-F300

REMACLEAN PUR-F300 is intended for pre-cleaning at the discharge pulley for pulley diameters from 630 mm and up. The individual polyurethane segments are solidly connected to the carrier. Due to a special function, the segments are more flexible. Thus the segments adapt themselves perfectly to the belt's surface at the pulley and ensure effective and gentle cleaning. Through the contact pressure device the entire scraper bar with the PUR-segments is precisely pre-tensioned from either one, or both sides.



REMACLEAN PUR-F300

#### Properties

- High cleaning efficiency through perfect adaptation of the polyurethane segments (individually mounted) to the belt's surface
- Long service life through the use of highly wear-resistant polyurethane
- Each segment is equipped with a supporting spring and can thus function in a dynamic manner; height differences are compensated for
- Segment widths of 200 mm and 300 mm
- Easily fitted and adjusted, low-maintenance
- Consistent and ideal contact pressure; easily adjustable and, through the length of the cylinder springs, easily definable
- The segment carrier has a very strong design for the highest loads (box profile)
- Also suitable for reverse operation

- Run-off aprons at the back of the PURsegments protect the carrier body
- Designed for pulley diameters from 630 mm and belt speeds up to 6.5 m/s

#### Area of application

- Suitable for large conveyor systems
- Universally applicable for many types of materials such as sand, gravel, hard coal, lignite, ores, sinter and cement

### REMACLEAN PUR-F300

Ref. No.	Designation	Belt width
578 5843	REMACLEAN PUR-F300	900 mm
578 5842	REMACLEAN PUR-F300	1 000 mm
578 5841	REMACLEAN PUR-F300	1 200 mm
578 5840	REMACLEAN PUR-F300	1 400 mm
578 5291	REMACLEAN PUR-F300	1 600 mm
578 5290	REMACLEAN PUR-F300	1 800 mm
578 5280	REMACLEAN PUR-F300	2 000 mm

### Spare and wear parts – REMACLEAN PUR-F300

Ref. No.	Designation	Width
578 5850	Segment PUR-F300	200 mm
578 5860	Segment PUR-F300	300 mm



### REMACLEAN PUR-F400

REMACLEAN PUR-F400 is intended for pre-cleaning at the discharge pulley for pulley diameters from 1 000 mm and up. The individual polyurethane segments are solidly connected to the carrier. Due to a special function, the segments are more flexible. Thus the segments adapt themselves perfectly to the belt's surface at the pulley and ensure effective and gentle cleaning. Through the contact pressure device the entire scraper bar with the PUR segments is precisely pre-tensioned from either one, or both sides.



REMACLEAN PUR-F400

#### Properties

- High cleaning efficiency through perfect adaptation of the polyurethane segments (individually mounted) to the belt's surface
- Long service life through the use of highly wear-resistant polyurethane
- Each segment is equipped with a supporting spring and can thus function in a dynamic manner; height differences are compensated for
- Segment widths of 200 mm and 300 mm
- Easily fitted and adjusted, low-maintenance
- Consistent and ideal contact pressure; easily adjustable and, through the length of the cylinder springs, easily definable
- The segment carrier has a very strong design for the highest loads (box profile)
- Also suitable for reverse operation
- Run-off aprons at the back of the PURsegments protect the carrier body
- Designed for pulley diameters from 1 000 mm
- For belt speed up to 9.0 m/s

#### Area of application

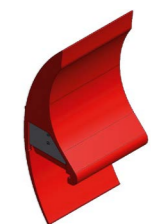
- Suitable for large conveyor systems
- Universally applicable for many types of materials such as sand, gravel, hard coal, lignite, ores, sinter and cement

### REMACLEAN PUR-F400

Ref. No.	Designation	Belt width
578 6080	REMACLEAN PUR-F400	1 600 mm
578 6081	REMACLEAN PUR-F400	1 800 mm
578 6110	REMACLEAN PUR-F400	2 000 mm
578 6120	REMACLEAN PUR-F400	2 200 mm
578 6121	REMACLEAN PUR-F400	2 400 mm

### Spare and wear parts – REMACLEAN PUR-F400

Ref. No.	Designation	Width
578 6090	Segment PUR-F400	200 mm
578 6100	Segment PUR-F400	300 mm



## BELT CLEANING SYSTEMS

### REMACLEAN – F-Series – for use on pulley in large conveyor systems

#### REMACLEAN PUR-F500

REMACLEAN PUR-F500 is optimally suited for the cleaning of the carrier-side of belts in large systems with belt speeds of up to 10 m/s. The individual segments of the system are solidly connected to the carrier body, yet mounted in such a way that they have flexible movement. This enables them to adapt perfectly to the belt's surface and ensure effective and gentle cleaning.



REMACLEAN PUR-F500

#### Properties

- High cleaning efficiency through perfect adaptation of the PUR segments (individually mounted) to the belt's surface
- Long service life of the individual segments through the use of highly wear resistant polyurethane
- Each segment is equipped with supporting springs, and can thus work in a dynamic manner

- Easy fitment and adjustment, low maintenance
- Consistent and ideal contact pressure; easily adjustable and, through the length of the cylinder springs, easily definable
- Carrier body has a very strong design in order to cope with the highest loads (box profile)
- Run-off aprons at the back of the PUR segments protect the carrier body
- Designed for belt speeds up to 10 m/s

#### Area of application

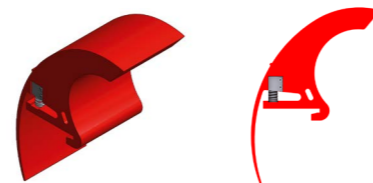
- Suitable for large conveyor systems
- Universally applicable for many types of materials such as sand, gravel, hard coal, lignite and ores

#### REMACLEAN PUR-F500

Ref. No.	Designation	Belt width
578 5910	REMACLEAN PUR-F500, 4 segments	1 400 mm
578 5920	REMACLEAN PUR-F500, 4 segments	1 400 mm
578 5571	REMACLEAN PUR-F500, 4 segments	1 600 mm
578 5572	REMACLEAN PUR-F500, 5 segments	1 600 mm
578 5573	REMACLEAN PUR-F500, 5 segments	1 600 mm
578 5930	REMACLEAN PUR-F500, 5 segments	1 800 mm
578 5870	REMACLEAN PUR-F500, 6 segments	2 000 mm
578 5570	REMACLEAN PUR-F500, 6 segments	2 200 mm
578 5940	REMACLEAN PUR-F500, 7 segments	2 200 mm
578 5950	REMACLEAN PUR-F500, 7 segments	2 400 mm
578 5960	REMACLEAN PUR-F500, 8 segments	2 600 mm
578 5970	REMACLEAN PUR-F500, 8 segments	2 800 mm
578 5980	REMACLEAN PUR-F500, 9 segments	2 800 mm
578 5990	REMACLEAN PUR-F500, 9 segments	3 000 mm

#### Spare and wear parts – REMACLEAN PUR-F500

Ref. No.	Designation	Width
578 5900	Segment PUR-F500	300 mm

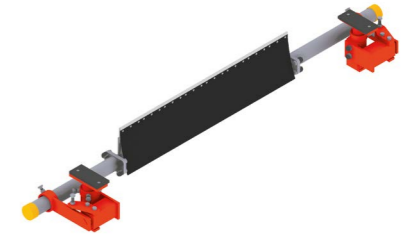


## BELT CLEANING SYSTEMS

### REMACLEAN – U-Series – for use on belt

#### REMACLEAN HM-U1

REMACLEAN HM-U1 is a belt cleaning system for belt return side applications consisting of tungsten carbide segments. The solid design of the support tube, where the tungsten carbide segments are mounted, and the spindle-type tension unit allows the system to be used for belt speeds up to 6.5 m/s. The design of the carbide blade perfectly adjusts to the belt, thus providing an effective and belt-friendly cleaning. The design of the carbide blade, as well as its anti-caking coating made of polyethylene, guarantee extended service life and high reliability.



REMACLEAN HM-U1

#### Properties

- Effective cleaning performance
- Long service life through the use of highly wear resistant carbide
- Modular design consisting of the system suspension tube, carbide-blades (HMT) with PE-deflector plate, suspension tube extensions and spindle sets with torsional thrust bearing
- Consistent and ideal contact pressure; easily adjustable and easily readable on the pre-tension indicator
- Flange connection for easy and quick installation and de-installation
- Spindle sets can be mounted on the inside and outside of the conveyor belt construction

- Protection of the belt edges through sunken outer carbide-carriers (HMT)
- Can be upgraded for reverse operation
- For belt widths up to 2 400 mm
- Designed for service temperatures from -40°C to +80°C and belt speeds up to 6.5 m/s
- Special versions available for service temperatures up to 120°C and also made from stainless steel

#### Area of application

- Universally applicable for the fine cleaning for many types of materials such as sand, gravel, hard coal, lignite, ores, sinter, cement, clay, refuse and gypsum

#### REMACLEAN HM-U1

Ref. No.	Designation	Belt width
578 9137	REMACLEAN HM-U1	400 mm
578 9144	REMACLEAN HM-U1	500 mm
578 9151	REMACLEAN HM-U1	650 mm
578 9168	REMACLEAN HM-U1	800 mm
578 9182	REMACLEAN HM-U1	1 000 mm
578 9199	REMACLEAN HM-U1	1 200 mm
578 9209	REMACLEAN HM-U1	1 400 mm
578 9216	REMACLEAN HM-U1	1 600 mm
578 9223	REMACLEAN HM-U1	1 800 mm
578 9230	REMACLEAN HM-U1	2 000 mm
578 9247	REMACLEAN HM-U1	2 200 mm
578 9254	REMACLEAN HM-U1	2 400 mm

Spare and wear parts – REMACLEAN HM-U1

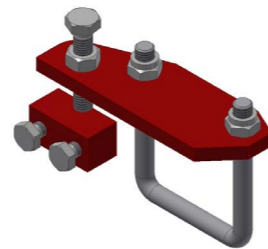
Ref. No.	Designation	Width
578 9326	Hard metal scraper segment HMT-U1, with PE skirting, center	120 mm
578 9333	Hard metal scraper segment HMT-U1, with PE skirting, right	120 mm
578 9340	Hard metal scraper segment HMT-U1, with PE skirting, left	120 mm



Hard metal scraper segment HMT-U1

Accessories – REMACLEAN HM-U1

Ref. No.	Designation	for Belt width	Content
578 9371	Hard metal scraper segment HMT-U1, without PE skirting, 120 mm		50
578 9508	Reversing stop set	400 - 650 mm	
578 9515	Reversing stop set	800 - 1 000 mm	
578 9522	Reversing stop set	1 200 - 2 200 mm	
578 9539	Reversing stop set	from 1 600 mm	
578 9845	Step tread set, with fastening elements	400 - 800 mm	2

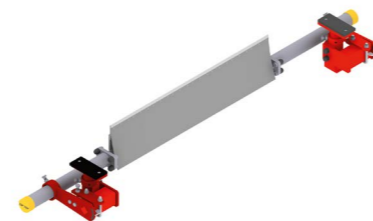


Reversing stop

REMACLEAN HM-U1 HR

Special versions for service temperatures up to 120°C. Belt widths (> 1 200 mm) are available on request.

Ref. No.	Designation	Belt width
578 3281	REMACLEAN HM-U1 HR	400 mm
578 3298	REMACLEAN HM-U1 HR	500 mm
578 3308	REMACLEAN HM-U1 HR	650 mm
578 3315	REMACLEAN HM-U1 HR	800 mm
578 3322	REMACLEAN HM-U1 HR	900 mm
578 3339	REMACLEAN HM-U1 HR	1 000 mm
578 3340	REMACLEAN HM-U1 HR	1 200 mm



REMACLEAN HM-U1 HR

Spare and wear parts – REMACLEAN HM-U1 HR

Ref. No.	Designation	Width
578 9807	Hard metal scraper segment HMT-U1 HR, with VA skirting, center	120 mm
578 9814	Hard metal scraper segment HMT-U1 HR, with VA skirting, right	120 mm
578 9821	Hard metal scraper segment HMT-U1 HR, with VA skirting, left	120 mm



Hard metal scraper segment HMT-U1 HR

REMACLEAN HM-U1 VA

Special versions for the chemical and food industry. Material 1.4571 (VA).

Ref. No.	Designation	Belt width
578 5210	REMACLEAN HM-U1 VA	500 mm
578 5227	REMACLEAN HM-U1 VA	650 mm
578 5234	REMACLEAN HM-U1 VA	800 mm
578 5258	REMACLEAN HM-U1 VA	1 000 mm
578 5260	REMACLEAN HM-U1 VA	1 200 mm



REMACLEAN HM-U1 VA

Spare and wear parts – REMACLEAN HM-U1 VA

Material 1.4571 (VA).

Ref. No.	Designation
578 9883	Hard metal scraper segment HMT-U1 VA, with VA skirting, center
578 9890	Hard metal scraper segment HMT-U1 VA, with VA skirting, right
578 9900	Hard metal scraper segment HMT-U1 VA, with VA skirting, left

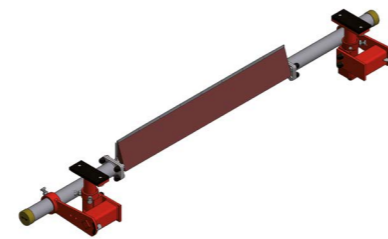


Hard metal scraper segment HMT-U1 VA

BELT CLEANING SYSTEMS  
REMACLEAN – U-Series – for use on belt

REMACLEAN HM-U2

REMACLEAN HM-U2 is a belt scraper system for belt return side applications with a tungsten carbide blade. The solid design of the support tube, where the tungsten carbide blade is mounted, allows the system to be used for belt speeds up to 6.5 m/s. The tungsten carbide blade optimally adjusts to the belt surface and guarantees effective and belt friendly cleaning. The design of the scraper blade and the anti caking coating made of highly wear resistant REMATHAN ensure long service life and high reliability.



REMACLEAN HM-U2



Properties

- Effective cleaning performance
- Long service life through the use of highly wear resistant carbide and low-friction anti-caking coatings
- Modular design consisting of the system suspension tube, carbide-blade, suspension tube extension and spindle sets with torsional thrust bearing
- Flange connection for easy and quickfitment
- Easily fitted and adjusted, low-maintenance due to the use of a spindle contact device with torsion elements and a pretension indicator
- Spindle sets can be mounted on the inside and outside of the conveyor belt construction
- Consistent and ideal contact pressure, which is easily adjustable and readable on the pre-tension indicator

- The highly wear-resistant REMATHAN sliding units on the front of the carbidebar ensures accumulation-free removal of the material
- Protection of the belt edges through sunken outer carbide-blade
- Can be upgraded for reverse operation
- Very robust polyurethane skirting
- One-piece blade
- For belt widths up to 2 200 mm
- Designed for service temperatures from -40°C to +80°C and belt speeds up to 6.5 m/s

Area of application

- Universally applicable for the fine cleaning for many types of materials such as sand, gravel, hard coal, lignite, ores, sinter, cement, clay, refuse and gypsum

REMACLEAN HM-U2

Ref. No.	Designation	Belt width
578 9278	REMACLEAN HM-U2	500 mm
578 9285	REMACLEAN HM-U2	650 mm
578 9292	REMACLEAN HM-U2	800 mm
578 0112	REMACLEAN HM-U2	1 000 mm
578 0920	REMACLEAN HM-U2	1 200 mm
578 0930	REMACLEAN HM-U2	1 400 mm
578 0931	REMACLEAN HM-U2	1 600 mm
578 0932	REMACLEAN HM-U2	1 800 mm
578 0933	REMACLEAN HM-U2	2 000 mm
578 0934	REMACLEAN HM-U2	2 200 mm

BELT CLEANING SYSTEMS  
REMACLEAN – U-Series – for use on belt

Spare and wear parts – REMACLEAN HM-U2

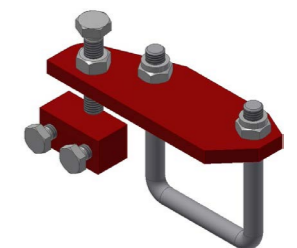
Ref. No.	Designation	For belt width
578 9412	Hard metal scraper segment HMT-U2	500 mm
578 9429	Hard metal scraper segment HMT-U2	650 mm
578 9436	Hard metal scraper segment HMT-U2	800 mm
578 0136	Hard metal scraper segment HMT-U2	1 000 mm
578 0140	Hard metal scraper segment HMT-U2	1 200 mm
578 0150	Hard metal scraper segment HMT-U2	1 400 mm
578 0950	Hard metal scraper segment HMT-U2	1 600 mm
578 0951	Hard metal scraper segment HMT-U2	1 800 mm
578 0952	Hard metal scraper segment HMT-U2	2 000 mm



Hard metal scraper segment HMT-U2

Accessories – REMACLEAN HM-U2

Ref. No.	Designation	For belt width
578 9508	Reversing stop set	400 - 650 mm
578 9515	Reversing stop set	800 - 1 000 mm
578 9522	Reversing stop set	1 200 - 2 200 mm
578 9845	Step tread set, with fastening elements	400 - 800 mm



Reversing stop

BELT CLEANING SYSTEMS  
REMACLEAN – U-Series – for use on belt

REMACLEAN HM-U3

REMACLEAN HM-U3 is a belt scraper system for belt return side applications with a tungsten carbide blade featuring a low installation height and tension unit INNOVATION. The tungsten carbide blade optimally adjusts to the belt and therefore guarantees effective and belt friendly cleaning. The design of the tungsten carbide blade as well as the multi layer anti-caking coating guarantees long service life and high reliability. The tension unit INNOVATION allows continuous calibration of the contact pressure and fits various installation situations.



REMACLEAN HM-U3

**Properties**

- Effective cleaning performance
- Long service life through the use of highly wear resistant carbide
- Protection of the belt surface edges through sunken outer carbide-blade
- Easily fitted and adjusting of the system due to the use of the tension unit INNOVATION with torsion elements and a pretension indicator
- Spindle sets can be mounted on the inside and outside of the conveyor belt construction
- Low-maintenance
- Requires little space due to the compact carbide-blade
- Automatic system readjustment
- Tension unit INNOVATION with accurate micro-adjustment of the contact pressure
- Integrated scraper bar tilt-adjustment
- REMA-REPCOAT SL non-stick coating on the carbide-bar's off-flow side
- Can be upgraded for reverse operation
- For belt widths up to 1 200 mm
- Designed for service temperatures from -40°C to +80°C and belt speeds up to 4.0 m/s

**Area of application**

- Universally applicable for many types of materials such as sand, gravel, hard coal, lignite, ores, sinter, cement, clay, refuse and gypsum

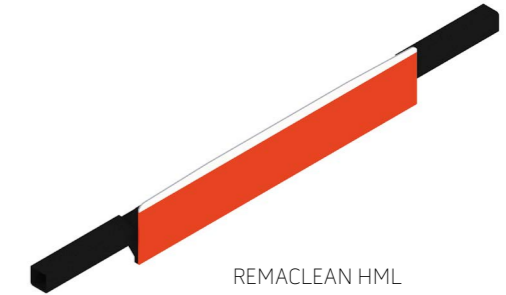
REMACLEAN HM-U3

Ref. No.	Designation	Belt width
578 8900	REMACLEAN HM-U3	400 mm
578 8910	REMACLEAN HM-U3	500 mm
578 8920	REMACLEAN HM-U3	650 mm
578 8930	REMACLEAN HM-U3	800 mm
578 8940	REMACLEAN HM-U3	1 000 mm
578 8950	REMACLEAN HM-U3	1 200 mm

BELT CLEANING SYSTEMS  
REMACLEAN – U-Series – for use on belt

Spare and wear parts – REMACLEAN HM-U3

Ref. No.	Designation	Belt width
578 2010	REMACLEAN HML	400 mm
578 2020	REMACLEAN HML	500 mm
578 2030	REMACLEAN HML	650 mm
578 2040	REMACLEAN HML	800 mm
578 2060	REMACLEAN HML	1 000 mm
578 2070	REMACLEAN HML	1 200 mm



REMACLEAN HML

### REMACLEAN HM-U7

Belt cleaning system for belt return side applications with elastically supported tungsten carbide blades and a spindle-type tension unit. High cleaning efficiency and long service life due to the high-quality of the carbides. Good adaptability to the conveyor belt through flexibly mounted and overlapping of the blades. Belt-protective scraper system through the segment blades dragging function.



#### Properties

- Belt friendly cleaning achieved by the sagging function of the blade segments
- The tungsten carbide segments manufactured from stainless steel are individually supported, can adapt dynamically in the running direction of the belt and move 180° on its own axis
- Modular system composed of system suspension tube, carbide-blades, polyurethane deflector
- Consistent and ideal contact pressure, which is easily adjustable by using the torsion tension unit with spindle adjustment
- No tools needed for segment fitment - exchange due to clamping fastener
- Not suitable for reverse operation
- „MF“ version is suitable for the use with mechanical joints
- „V“ version is suitable for ATEX applications (in that case assembly feet are black)
- For belt widths up to 1 400 mm

- Designed for service temperatures from -40°C to +70°C and belt speeds up to 4.0 m/s

#### Area of application

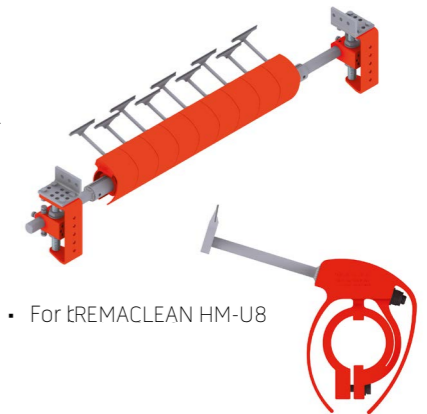
- Universally applicable for many types of materials such as sand, gravel, hard coal, lignite, ores, sinter, cement, conditioned refuse and dry gypsum

### REMACLEAN HM-U7

Ref. No.	Designation	Belt width
578 9300	REMACLEAN HM-U7	400 mm
578 9301	REMACLEAN HM-U7	500 mm
578 9302	REMACLEAN HM-U7	650 mm
578 9303	REMACLEAN HM-U7	800 mm
578 9304	REMACLEAN HM-U7	1 000 mm
578 9305	REMACLEAN HM-U7	1 200 mm
578 9306	REMACLEAN HM-U7	1 400 mm
578 8990	REMACLEAN HM-U7 LONG (310/335 mm)	400 mm
578 8991	REMACLEAN HM-U7 LONG (310/335 mm)	500 mm
578 8992	REMACLEAN HM-U7 LONG (310/335 mm)	650 mm
578 8993	REMACLEAN HM-U7 LONG (310/335 mm)	800 mm
578 8994	REMACLEAN HM-U7 LONG (310/335 mm)	1 000 mm
578 8995	REMACLEAN HM-U7 LONG (310/335 mm)	1 200 mm
578 8996	REMACLEAN HM-U7 LONG (310/335 mm)	1 400 mm
578 8970	REMACLEAN HM-U7 MF	400 mm
578 8971	REMACLEAN HM-U7 MF	500 mm
578 8972	REMACLEAN HM-U7 MF	650 mm
578 8973	REMACLEAN HM-U7 MF	800 mm
578 8974	REMACLEAN HM-U7 MF	1 000 mm
578 8975	REMACLEAN HM-U7 MF	1 200 mm

### REMACLEAN HM-U8

Belt scraper system for belt return side applications with elastically supported tungsten carbide blades and a spindle-type tension unit with reinforcement bracket, designed for heavy-duty conditions. High cleaning efficiency and long service life due to the high-quality of the carbides. Good adaptability to the conveyor belt through flexibly mounted and overlapping of the blades. Belt-protective scraper system through the segment blades dragging function.



#### Properties

- Belt friendly cleaning achieved by the sagging function of the blade segments
- The tungsten carbide segments manufactured from stainless steel are individually supported, can adapt dynamically in the running direction of the belt and move 180° on its own axis
- Modular system composed of system suspension tube, carbide-blades, PUR assembly foot and spindle tensioning device with brace
- Consistent and ideal contact pressure, which is easily adjustable by using the torsion tension unit with spindle adjustment
- No tools needed for segment fitment - exchange due to clamping fastener
- Not suitable for reverse operation
- „MF“ version is suitable for the use with mechanical joints
- „V“ version is suitable for ATEX applications (in that case assembly feet are black)
- Version with PUR segment foot with screw mounting available

- For REMACLEAN HM-U8
- Designed for service temperatures from -40°C to +70°C and belt speeds up to 6.5 m/s

#### Area of application

- Universally applicable for many types of materials such as sand, gravel, hard coal, lignite, ores, sinter, cement,

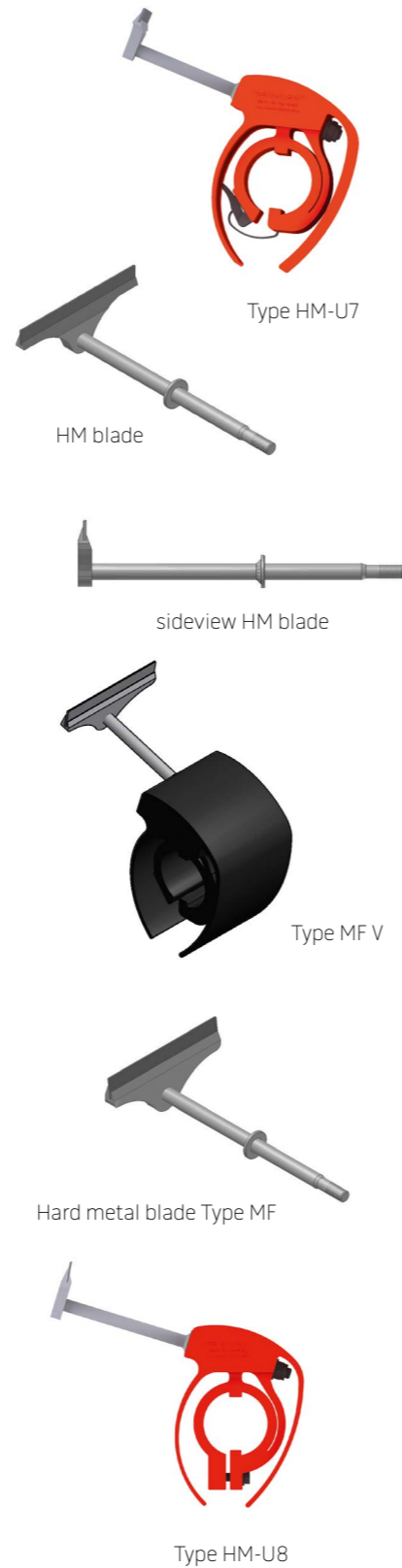
### REMACLEAN HM-U8

Ref. No.	Designation	Belt width
578 9310	REMACLEAN HM-U8	800 mm
578 9311	REMACLEAN HM-U8	1 000 mm
578 9312	REMACLEAN HM-U8	1 200 mm
578 9313	REMACLEAN HM-U8	1 400 mm
578 9314	REMACLEAN HM-U8	1 600 mm
578 9315	REMACLEAN HM-U8	1 800 mm
578 9316	REMACLEAN HM-U8	2 000 mm
578 9317	REMACLEAN HM-U8	2 200 mm
578 8980	REMACLEAN HM-U8 MF	800 mm
578 8981	REMACLEAN HM-U8 MF	1 000 mm
578 8982	REMACLEAN HM-U8 MF	1 200 mm
578 8983	REMACLEAN HM-U8 MF	1 400 mm
578 8984	REMACLEAN HM-U8 MF	1 600 mm
578 8985	REMACLEAN HM-U8 MF	1 800 mm
578 9450	REMACLEAN HM-U8 MF V, with ATEX approval	800 mm
578 9451	REMACLEAN HM-U8 MF V, with ATEX approval	1 000 mm
578 9452	REMACLEAN HM-U8 MF V, with ATEX approval	1 200 mm
578 9453	REMACLEAN HM-U8 MF V, with ATEX approval	1 400 mm
578 9454	REMACLEAN HM-U8 MF V, with ATEX approval	1 600 mm



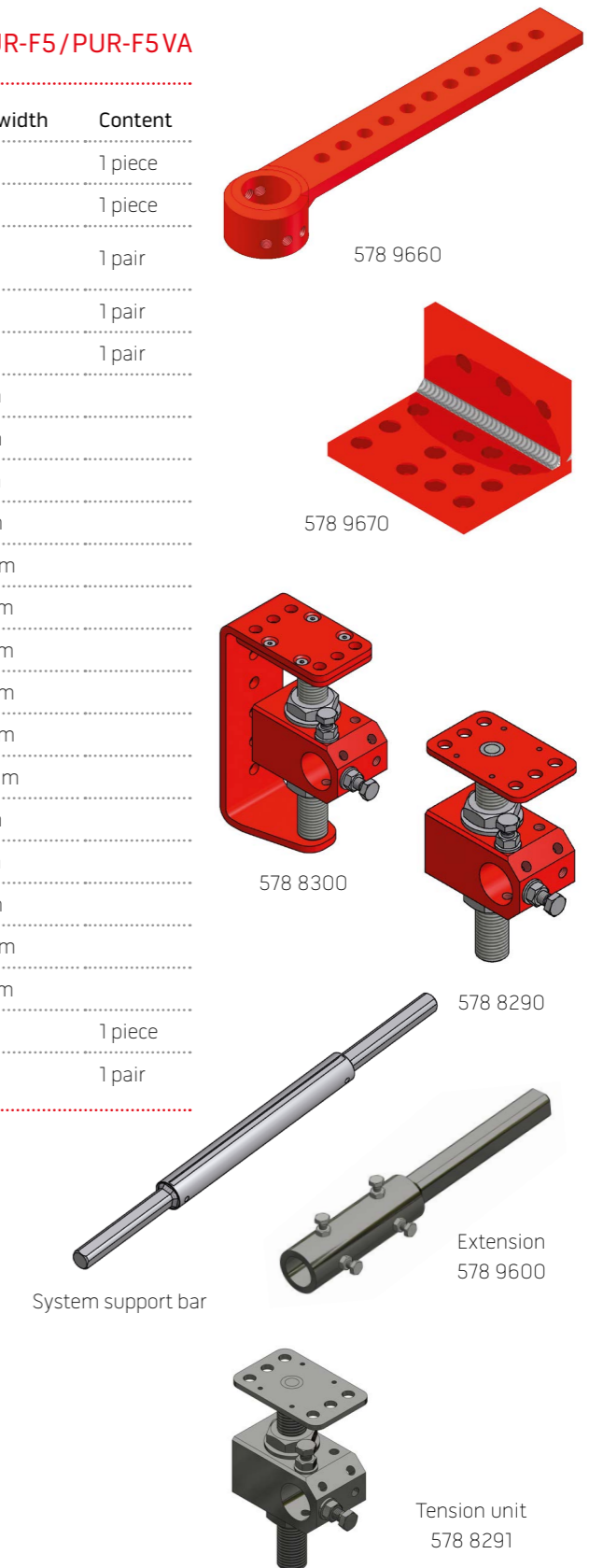
Spare and wear parts – REMACLEAN HM-U7 / HM-U8

Ref. No.	Designation	Length
578 9441	Blade SP-U7/U8-210 Only round bar with hard metal blade.	210 mm
578 9440	Segment SEG+SP-U7-210 With hard metal blade and red polyurethane base, industrial version.	210 mm
578 9442	Blade SP-U7/U8-235 Only round bar with hard metal blade.	235 mm
578 9443	Segment SEG+SP-U7-235 With hard metal blade and red polyurethane base, industrial version.	235 mm
578 8550	Blade SP-U7/U8-310 Only round bar with hard metal blade.	310 mm
578 8551	Segment SEG+SP-U7/U8-310 With hard metal blade and red polyurethane base, industrial version.	310 mm
578 8560	Blade SP-U7/U8-335 Only round bar with hard metal blade.	335 mm
578 8561	Segment SEG+SP-U7/U8-335 With hard metal blade and red polyurethane base, industrial version.	335 mm
578 9460	Blade SP-U7/U8-210 MF Only round bar with impact-proof metal blade.	210 mm
578 9540	Segment SEG+SP-U7-210 MF With impact-proof hard metal blade and red polyurethane base, industrial version.	210 mm
578 9470	Segment SEG+SP-U7-210 MF V With impact-proof metal blade and black polyurethane base, ATEX version.	210 mm
578 9480	Blade SP-U7/U8-235 MF Only round bar with impact-proof hard metal blade.	235 mm
578 9550	Segment SEG+SP-U7-235 MF With impact-proof hard metal blade and red polyurethane base, industrial version.	235 mm
578 9490	Segment SEG+SP-U7-235 MF V With impact-proof hard metal blade and black polyurethane base, ATEX version.	235 mm
578 7750	Segment SEG+SP-U8-210	210 mm
578 7760	Segment SEG+SP-U8-210 MF	210 mm
578 7770	Segment SEG+SP-U8-210 MF V	210 mm
578 7780	Segment SEG+SP-U8-235	235 mm
578 7790	Segment SEG+SP-U8-235 MF	235 mm
578 7800	Segment SEG+SP-U8-235 MF V	235 mm



Accessories – REMACLEAN HM-U7 / HM-U8 / HM-U11R / PUR-F5 / PUR-F5 VA

Ref. No.	Designation	For belt width	Content
578 9660	Off-set arm HM-U7/U8		1 piece
578 9610	Clamping spindle HM-U7/U8		1 piece
578 9670	Mounting bracket HM-U7/U8, hot-dip galvanized, with mounting screws		1 pair
578 8290	Tension unit HM-U7		1 pair
578 8300	Tension unit HM-U8/U11 R		1 pair
578 8160	System support bar HM-U7/U8/U11/PUR-F5	400 mm	
578 8170	System support bar HM-U7/U8/U11/PUR-F5	500 mm	
578 8180	System support bar HM-U7/U8/U11/PUR-F5	650 mm	
578 8190	System support bar HM-U7/U8/U11/PUR-F5	800 mm	
578 8200	System support bar HM-U7/U8/U11/PUR-F5	1 000 mm	
578 8210	System support bar HM-U7/U8/U11/PUR-F5	1 200 mm	
578 8220	System support bar HM-U7/U8/U11/PUR-F5	1 400 mm	
578 8230	System support bar HM-U7/U8/U11/PUR-F5	1 600 mm	
578 8240	System support bar HM-U7/U8/U11/PUR-F5	1 800 mm	
578 8250	System support bar HM-U7/U8/U11/PUR-F5	2 000 mm	
578 6140	System support bar HM-U7/U8/PUR-F5 VA	500 mm	
578 6150	System support bar HM-U7/U8/PUR-F5 VA	650 mm	
578 6160	System support bar HM-U7/U8/PUR-F5 VA	800 mm	
578 6170	System support bar HM-U7/U8/PUR-F5 VA	1 000 mm	
578 6180	System support bar HM-U7/U8/PUR-F5 VA	1 200 mm	
578 9600	Extension - System support bar		1 piece
578 8291	Tension unit HM-U7 in VA (INOX)		1 pair



BELT CLEANING SYSTEMS  
REMACLEAN – U-Series – for use on belt

REMACLEAN HM-U9

Belt scraper system for belt return side applications with elastically supported tungsten carbide blades and a spindle-type tension unit. Comparable to HM-U6 but a more robust design. High cleaning efficiency and long service life through high-quality of the carbides. Good adaptability to the conveyor belt through flexible mounted blade segments.

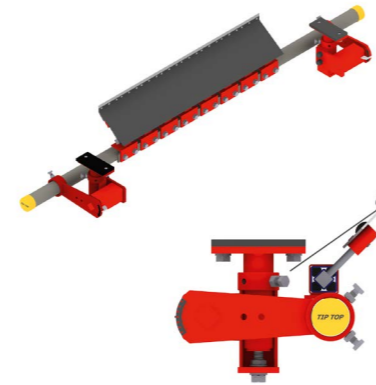
**Properties**

- Belt friendly cleaning achieved by the sagging function of the blade segments
- The tungsten carbide segments manufactured from stainless steel are individually supported, can adapt dynamically in the running direction of the belt and move 180° on its own axis
- Modular system consisting of a robust system suspension tube, carbide scrapers with PU deflectors and spindle with torsional thrust bearing
- Robust sliding deflectors made from polyethylene for the highest loads
- Low-maintenance

- Consistent and ideal contact pressure, which is easily adjustable
- Not suitable for reverse operation
- For belt widths up to 2 000 mm
- Designed for service temperatures from -40°C to +70°C and belt speeds up to 6.5 m/s

**Area of application**

- Universally applicable for many types of materials such as sand, gravel, hard coal, lignite, ores, sinter, cement, clay, conditioned refuse and gypsum



REMACLEAN HM-U9

REMACLEAN HM-U9

Ref. No.	Designation	Belt width
578 9345	REMACLEAN HM-U9	650 mm
578 9346	REMACLEAN HM-U9	800 mm
578 9348	REMACLEAN HM-U9	1 000 mm
578 9349	REMACLEAN HM-U9	1 200 mm
578 9350	REMACLEAN HM-U9	1 400 mm
578 9351	REMACLEAN HM-U9	1 600 mm
578 9352	REMACLEAN HM-U9	1 800 mm
578 9353	REMACLEAN HM-U9	2 000 mm

BELT CLEANING SYSTEMS  
REMACLEAN – U-Series – for use on belt

REMACLEAN HM-U10

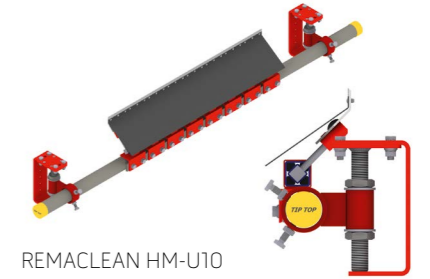
Belt scraper system for belt return side applications with elastically supported tungsten carbide blades and a spindle-type tension unit. Comparable to HM-U9 but with a spindle tensioning device. High cleaning efficiency and long service life through high-quality of the carbides. Good adaptability to the conveyor belt through flexible mounted blade segments.

**Properties**

- Belt friendly cleaning achieved by the sagging function of the blade segments
- The tungsten carbide segments manufactured from stainless steel are individually supported, can adapt dynamically in the running direction of the belt and move 180° on its own axis
- Modular system composed of a robust system suspension tube, carbide-blades with apron made from

polyurethane and spindle tensioning device

- Robust sliding deflectors made from polyethylene for the highest loads
- Consistent and ideal contact pressure, which is easily adjustable
- Low-maintenance
- Not suitable for reverse operation
- For belt widths up to 2 400 mm
- Designed for service temperatures from -40°C to +70°C and belt speeds up to 6.5 m/s



REMACLEAN HM-U10

**Area of application**

- Universally applicable for many types of materials such as sand, gravel, hard coal, lignite, ores, sinter, cement, clay, conditioned refuse and gypsum

REMACLEAN HM-U10

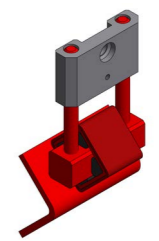
Ref. No.	Designation	Belt width
578 1550	REMACLEAN HM-U10	400 mm
578 1551	REMACLEAN HM-U10	500 mm
578 1552	REMACLEAN HM-U10	650 mm
578 1553	REMACLEAN HM-U10	800 mm
578 1555	REMACLEAN HM-U10	1 000 mm
578 1556	REMACLEAN HM-U10	1 200 mm
578 1560	REMACLEAN HM-U10	1 400 mm
578 1570	REMACLEAN HM-U10	1 600 mm
578 1580	REMACLEAN HM-U10	1 800 mm
578 1581	REMACLEAN HM-U10	2 000 mm
578 1582	REMACLEAN HM-U10	2 200 mm
578 1583	REMACLEAN HM-U10	2 400 mm

Spare and wear parts – REMACLEAN HM-U10

Ref. No.	Designation	Width
578 3638	Hard metal scraper segment HMT-U1 S, U9, U10, center	120 mm
578 1100	Hard metal scraper segment HMT-U1 S, U9, U10, right	120 mm
578 1090	Hard metal scraper segment HMT-U1 S, U9, U10, left	120 mm
578 3610	Torsion element for HM-U9/HM-U10	



Hard metal scraper segment



Torsion element 578 3610

BELT CLEANING SYSTEMS  
REMACLEAN – U-Series – for use on belt

REMACLEAN HM-U11 R - 70 / HM-U11 R - 85

Belt scraper system for belt return side applications with elastically supported tungsten carbide blades and a spindle-type tension unit suited for reverse operation. High cleaning efficiency and long service life through high-quality of the carbides. Good adaptability to the conveyor belt through flexible mounted blade segments.

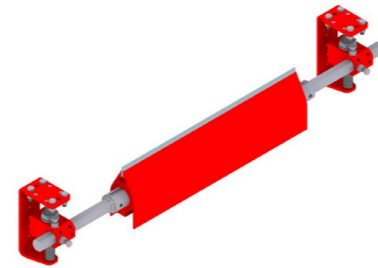
**Properties**

- Belt friendly cleaning achieved by the sagging function of the blade segments
- The tungsten carbide segments manufactured from stainless steel are individually supported, can adapt dynamically in the running direction of the belt and move 180° on its own axis
- Modular system consisting of a robust system suspension tube, carbide blades, foot made from soft Polyurethane and a spindle mounting system
- Robust sliding deflectors made from polyethylene for the highest loads
- Consistent and ideal contact pressure, which is easily adjustable
- Low-maintenance
- System carrier is protected with sliding aprons of the PUR foot

- Version with PUR segment foot with screw mounting available
- Particularly suited for reverse operation
- For belt widths up to 2 000 mm
- Designed for service temperatures from -40°C to +70°C and belt speeds for HMU11 R - 70 up to 3.5 m/s; HM-U11 R - 85 up to 6.5 m/s

**Area of application**

- Universally applicable for many types of materials such as sand, gravel, hard coal, lignite, ores, sinter, cement, clay, conditioned refuse and gypsum



REMACLEAN HM-U11 R - 70

REMACLEAN HM-U11 R - 70

Belt speeds up to 3.5 m/s, Hardness: 70 Shore A

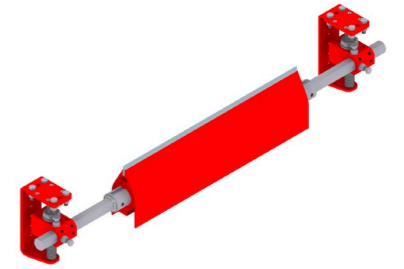
Ref. No.	Designation	Belt width
578 1800	REMACLEAN HM-U11 R - 70	400 mm
578 1810	REMACLEAN HM-U11 R - 70	500 mm
578 1820	REMACLEAN HM-U11 R - 70	650 mm
578 1830	REMACLEAN HM-U11 R - 70	800 mm
578 1840	REMACLEAN HM-U11 R - 70	1 000 mm
578 1850	REMACLEAN HM-U11 R - 70	1 200 mm
578 1860	REMACLEAN HM-U11 R - 70	1 400 mm
578 1870	REMACLEAN HM-U11 R - 70	1 600 mm
578 1880	REMACLEAN HM-U11 R - 70	1 800 mm
578 1890	REMACLEAN HM-U11 R - 70	2 000 mm

BELT CLEANING SYSTEMS  
REMACLEAN – U-Series – for use on belt

REMACLEAN HM-U11 R - 85

Belt speeds up to 6.5 m/s, Hardness 85 Shore A

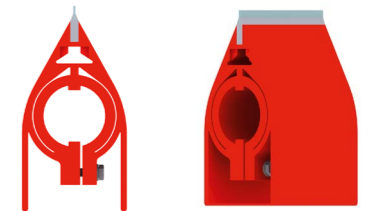
Ref. No.	Designation	Belt width
578 2081	REMACLEAN HM-U11 R - 85	400 mm
578 2082	REMACLEAN HM-U11 R - 85	500 mm
578 2083	REMACLEAN HM-U11 R - 85	650 mm
578 2100	REMACLEAN HM-U11 R - 85	800 mm
578 2090	REMACLEAN HM-U11 R - 85	1 000 mm
578 2091	REMACLEAN HM-U11 R - 85	1 200 mm
578 2092	REMACLEAN HM-U11 R - 85	1 400 mm
578 2093	REMACLEAN HM-U11 R - 85	1 600 mm
578 2094	REMACLEAN HM-U11 R - 85	1 800 mm
578 2095	REMACLEAN HM-U11 R - 85	2 000 mm



REMACLEAN HM-U11 R - 85

Spare and wear parts – REMACLEAN HM-U11 R

Ref. No.	Designation	Width
578 1900	Segment SEG+SP-U11 R - 70	120 mm
578 2080	Segment SEG+SP-U11 R - 85	120 mm



BELT CLEANING SYSTEMS  
REMACLEAN – U-Series – for use on belt

REMACLEAN HM-U500

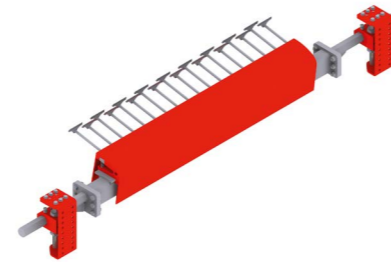
REMACLEAN HM-U500 is a belt cleaning system for belt return side applications with elastically supported tungsten carbide blades and a spindle-type tension unit. The segments are individually mounted to the system suspension tube and the carbide blades are mounted in polyurethane feet in such a manner that they can turn. Thus they adapt

**Properties**

- Belt friendly cleaning achieved by the sagging function of the blade segments
- The tungsten carbide segments manufactured from stainless steel are individually supported, can adapt dynamically in the running direction of the belt and move 180° on its own axis
- Modular system consisting of a robust system suspension tube, carbide blades, foot made from soft polyurethane and a spindle mounting system
- Robust sliding deflectors made from polyethylene for the highest loads
- Consistent and ideal contact pressure, which is easily adjustable
- Low-maintenance
- System carrier is protected with sliding aprons of the PUR foot
- Each polyurethane foot is equipped with supporting springs, which resist dynamic loads
- For belt widths up to 2 400 mm
- Designed for service temperatures from -40°C to +70°C and belt speeds up to 10.0 m/s

**Area of application**

- Universally applicable for many types of materials such as sand, gravel, hard coal, lignite, ores, sinter and cement



REMACLEAN HM-U500

REMACLEAN HM-U500

Ref. No.	Designation	Belt width
578 5890	REMACLEAN HM-U500	1 400 mm
578 5891	REMACLEAN HM-U500	1 600 mm
578 3970	REMACLEAN HM-U500	1 800 mm
578 5880	REMACLEAN HM-U500	2 000 mm
578 5871	REMACLEAN HM-U500	2 200 mm
578 5881	REMACLEAN HM-U500	2 400 mm

Spare and wear parts – REMACLEAN HM-U500

Ref. No.	Designation	Length
578 8580	Blade SP-U500-350 Only round bar with hard metal blade.	350 mm
578 8570	Blade SP-U500-375 Only round bar with hard metal blade.	375 mm
578 8890	Segment HM-U500-350	350 mm
578 8891	Segment HM-U500-375	375 mm
578 8700	REMACLEAN PUR-FOOT HM-U500 without hard metal spatula	



578 8700

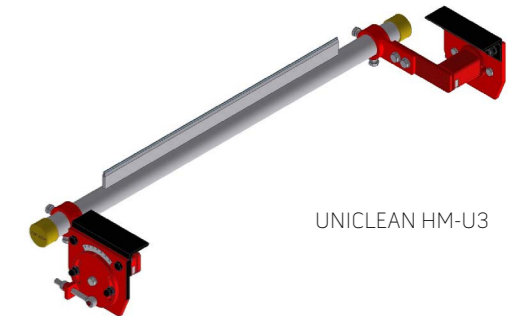
BELT CLEANING SYSTEMS  
REMACLEAN – U-Series – for use on belt

UNICLEAN HM-U3

UNICLEAN HM-U3 is a belt scraper system for belt return side applications with a tungsten carbide blade featuring a low installation height and tension unit type INNOVATION. The tungsten carbide blade optimally adjusts to the belt and therefore guarantees effective and belt-friendly cleaning. The design of the tungsten carbide blade guarantees long service life and high reliability. The tension unit type INNOVATION allows continuous calibration of the contact pressure and fits various installation situations.

**Properties**

- Excellent cleaning effect
- Long service life through the use of highly wear-resistant carbide
- Easy fitting and adjustment of the system due to the use of the tension unit INNOVATION with torsion elements and a pre-tension indicator
- Minimal maintenance
- Requires little space due to the compact carbide-blade
- Automatic system readjustment
- Tensioning device type INNOVATION with an exact micro-adjustment of contact pressure, displayed on the tension meter
- For belt widths up to 1600 mm
- Designed for service temperatures



UNICLEAN HM-U3

from 40°C to +60°C and belt speeds up to 4.5 m/s

**Area of application**

- Universally applicable for many types of materials such as sand, gravel, hard coal, lignite

UNICLEAN HM-U3

Ref. No.	Designation	For belt width
578 1700	UNICLEAN HM-U3	400 mm
578 1710	UNICLEAN HM-U3	500 mm
578 1720	UNICLEAN HM-U3	650 mm
578 1730	UNICLEAN HM-U3	800 mm
578 1740	UNICLEAN HM-U3	900 mm
578 1750	UNICLEAN HM-U3	1 000 mm
578 1760	UNICLEAN HM-U3	1 200 mm
578 1770	UNICLEAN HM-U3	1 400 mm
578 1780	UNICLEAN HM-U3	1 600 mm

Spare Scraper UNICLEAN HML

Ref. No.	Designation	For belt width
578 1600	UNICLEAN HML-U3 -400	400 mm
578 1610	UNICLEAN HML-U3 -500	500 mm
578 1620	UNICLEAN HML-U3 -650	650 mm
578 1630	UNICLEAN HML-U3 -800	800 mm
578 1640	UNICLEAN HML-U3 -900	900 mm
578 1650	UNICLEAN HML-U3 -1000	1 000 mm
578 1660	UNICLEAN HML-U3 -1200	1 200 mm
578 1670	UNICLEAN HML-U3 -1400	1 400 mm
578 1680	UNICLEAN HML-U3 -1600	1 600 mm

## BELT CLEANING SYSTEMS

### REMACLEAN – Belt Cleaning Brushes

#### REMACLEAN GRB

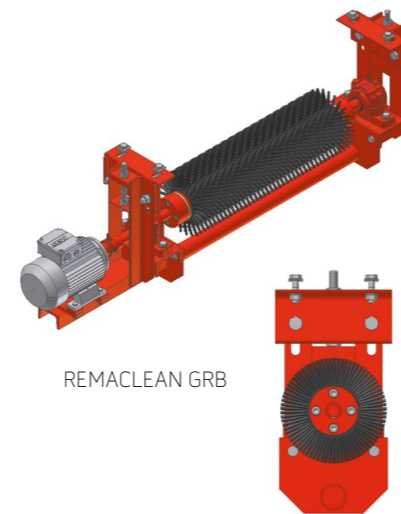
REMACLEAN GRB with round rubber fingers and an electric extern drive for the fine cleaning of the carrier-side of the conveyor belt behind or under the discharge pulley. The rubber fingers optimally adapt to the belt surface and guarantee effective and beltfriendly

##### Properties

- Cleaning brush direct drive through an electric motor
- Highly flexible and extremely gentle on the belt due to rubber fingers
- Speed: 1 000 rpm
- Voltage: 400 V, 50 Hz (other versions available on request)
- Protective system: B3, IP55
- Motor capacity BW 400 - 500: 0.55 kW
- Motor capacity BW 600 - 1 000: 0.75 kW
- Motor capacity BW 1 200 - 1 600: 1.1 kW
- Motor capacity BW 1 800 - 2 000: 1.5 kW
- Designed for belt speeds up to 2.5 m/s
- A version suitable for ATEX applications is available

##### Area of application

- Universally applicable removing fine or pulverised and also slightly adhering materials; to be combined with a pre-scraper for moist materials



#### REMACLEAN GRB

##### Specifications

Polymer basis	NR	DIN ISO 1629
Specific weight	1.05 g/cm <sup>3</sup>	DIN EN ISO 1183-1
Hardness	49 Shore A	DIN ISO 7619-1
Colour	Black	

Ref. No.	Designation	Belt width
578 5007	REMACLEAN GRB	400 mm
578 5014	REMACLEAN GRB	500 mm
578 5021	REMACLEAN GRB	650 mm
578 5038	REMACLEAN GRB	800 mm
578 5045	REMACLEAN GRB	1 000 mm
578 5052	REMACLEAN GRB	1 200 mm
578 5069	REMACLEAN GRB	1 400 mm
578 5076	REMACLEAN GRB	1 600 mm
578 5083	REMACLEAN GRB	1 800 mm
578 5090	REMACLEAN GRB	2 000 mm

## BELT CLEANING SYSTEMS

### REMACLEAN – Belt Cleaning Brushes

#### Spare cleaning brush GRB

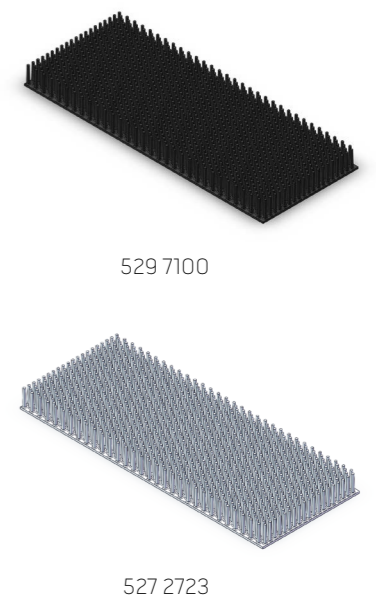
Consists of shaft set made from steel with attached rubber bristles in standard quality. Versions with rubber bristles in food quality or self-extinguishing available on request.

Ref. No.	Designation	Belt width
578 4400	REMACLEAN spare cleaning brush GRB	400 mm
578 4417	REMACLEAN spare cleaning brush GRB	500 mm
578 4424	REMACLEAN spare cleaning brush GRB	650 mm
578 4431	REMACLEAN spare cleaning brush GRB	800 mm
578 4448	REMACLEAN spare cleaning brush GRB	1 000 mm
578 4455	REMACLEAN spare cleaning brush GRB	1 200 mm
578 4462	REMACLEAN spare cleaning brush GRB	1 400 mm
578 4479	REMACLEAN spare cleaning brush GRB	1 600 mm
578 4486	REMACLEAN spare cleaning brush GRB	1 800 mm
578 4493	REMACLEAN spare cleaning brush GRB	2 000 mm



#### Rubber bristle GRB

Ref. No.	Designation	Dimensions
529 7100	<b>Rubber bristle Standard, black, Hardness 48 Shore A</b>	745 x 297 mm
527 2723	<b>Rubber bristle WHITE FOOD, white, Hardness 40 Shore A</b> Food quality in accordance with: <ul style="list-style-type: none"> <li>• Federal Institute for Risk Assessment, Recommendations on Food Contact Materials XXI, Cat. 3+4 (Germany)</li> <li>• Regulation (EU) No. 1935/2004</li> <li>• FDA Regulation No. 21 CFR 177.2600</li> <li>• Required adhesive system for food contact: CEMENTSC 4000 white/HARDENER E-40 or CEMENT SC 2000white/HARDENER ER-42.</li> </ul>	745 x 297 mm
527 2716	Rubber bristle V, black, Hardness 62 Shore A Self-extinguishing, moderately oil and grease resistant	745 x 297 mm



**Note:** Special versions of REMACLEAN GRB for ATEX areas or FOOD STUFF applications available on request.

### Shaft set GRB

Please state the belt width when ordering.

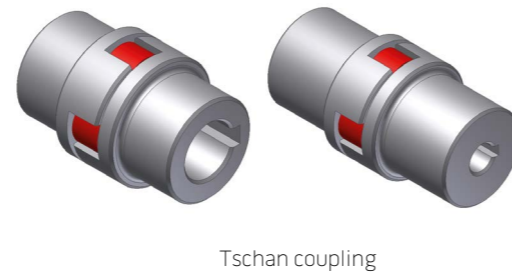
Ref. No.	Designation	For belt width
578 4840	Shaft set GRB	400 - 1 000 mm
578 4850	Shaft set GRB	1 200 - 2 000 mm



### Tschan coupling GRB

Please state the belt width when ordering.

Ref. No.	Designation	For belt width
578 6700	REMACLEAN tschan coupling S 50	400 - 2 000 mm
578 6710	REMACLEAN star, for REMACLEAN tschan coupling S 50	400 - 2 000 mm



Tschan coupling

### GRB spare motor

Ref. No.	Designation	Voltage	Engine power
578 6750	REMACLEAN GRB spare motor	220/380 V	0.55 kW
578 6730	REMACLEAN GRB spare motor	220/380 V	0.75 kW
578 6720	REMACLEAN GRB spare motor	220/380 V	1.1 kW
578 6740	REMACLEAN GRB spare motor	220/380 V	1.5 kW



Spare motor

### REMACLEAN TMB

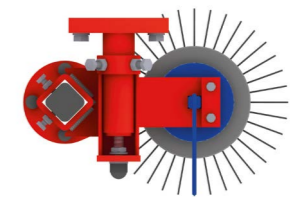
REMACLEAN TMB is a conveyor belt cleaning system with plastic bristles and internally located drive for fine cleaning of the conveyor belt carrier-side.

#### Properties

- Cleaning brush with direct electric motor drive
- Highly flexible and extremely gentle on the belt due to plastic bristles
- Drum motor: 400 V, 50 Hz (other versions available on request)
- Motor capacity BW 400 - 800: 1.1 kW
- Motor capacity BW 900 - 2 000: 1.5 kW
- Self-cleaning
- Very compact construction through the drum motor
- All electric motors fall into Class IP66
- Also available in version suitable for use in ex-zones (Device Group II Category 3D T135 °C) also available for foods processing and in an oil-resistant version
- Available with stainless steel motor
- Suited for reverse operation; the motor must be switched over correspondingly for the direction of operation
- Designed for service temperatures from -40°C to +70°C and belt speeds up to 6.5 m/s



REMACLEAN TMB

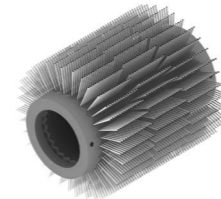


### REMACLEAN TMB

Ref. No.	Designation	Belt width
578 0590	REMACLEAN TMB	400 mm
578 0600	REMACLEAN TMB	500 mm
578 4802	REMACLEAN TMB	650 mm
578 0617	REMACLEAN TMB	800 mm
578 0631	REMACLEAN TMB	1 000 mm
578 0648	REMACLEAN TMB	1 200 mm
578 0916	REMACLEAN TMB	1 400 mm
578 0915	REMACLEAN TMB	1 600 mm
578 0970	REMACLEAN TMB	1 800 mm
578 0971	REMACLEAN TMB	2 000 mm

Spare and wear parts – REMACLEAN TMB

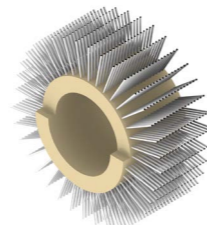
Ref. No.	Designation	Belt width
578 0810	REMACLEAN brush set TMB	400 mm
578 0827	REMACLEAN brush set TMB	500 mm
578 0834	REMACLEAN brush set TMB	650 mm
578 0841	REMACLEAN brush set TMB	800 mm
578 0865	REMACLEAN brush set TMB	1 000 mm
578 0872	REMACLEAN brush set TMB	1 200 mm
578 0899	REMACLEAN brush set TMB	1 400 mm
578 0804	REMACLEAN brush set TMB	1 600 mm
578 0805	REMACLEAN brush set TMB	1 800 mm
578 0906	REMACLEAN individual brush segment TMB	800 mm
578 0889	REMACLEAN locking ring, for brush set TMB	bis 800 mm
578 1050	REMACLEAN brush segment TMB, 226 mm	ab 1 000 mm
578 1060	REMACLEAN endpiece TMB, 157 mm	ab 1 000 mm



Brush segment



Locking ring



Brush segment

REMACLEAN SGB

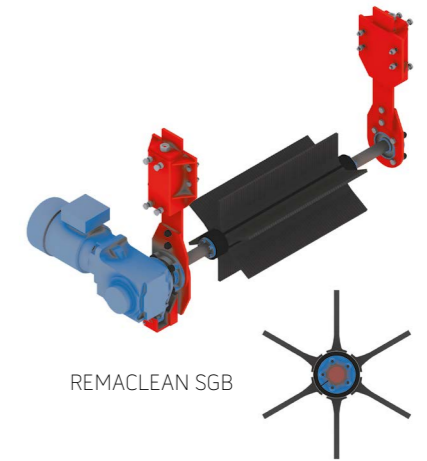
REMACLEAN SGB is a belt cleaning system with rubber bristles for fine cleaning of the carrier-side of a belt with CHEVRON profile.

Properties

- Electric motor cleaning brush with bevel gear drive
- Cleat height max. 24 mm
- Highly flexible and extremely gentle on the belt due to rubber bristles with hardness 64 Shore A
- Drum motor: 230 - 400 V, 50 Hz (other versions available on request)
- Motor capacity BW 400 - 800: 1.1 kW
- Motor capacity BW 900 - 1 050: 1.5 kW
- Motor capacity BW 1 000 - 1 400: 2.2 kW
- Self-cleaning
- Compact construction
- All electric motors fall into Class IP55
- Also available in version suitable for use in ex-zones (Device Group II Category 3D T135°C) zone from 22
- Also available with bristles in V quality or in an oil-resistant version and food quality
- Suited for reverse operation; the motor must be switched over correspondingly for the direction of operation
- Designed for service temperatures from -40°C to +70 °C and belt speeds up to 2.5 m/s

Area of application

- Universally applicable removing sticky material such as sand, gravel, hard coal, cement, ores, lignite, conditioned refuse and sinter from conveyor belts with HEVRON profile



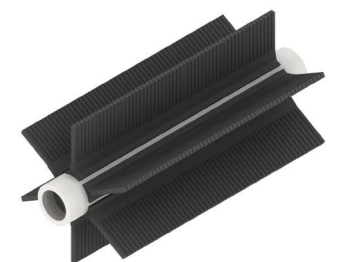
REMACLEAN SGB

REMACLEAN SGB

Ref. No.	Designation	Belt width
578 0655	REMACLEAN SGB	400 mm
578 0662	REMACLEAN SGB	500 mm
578 0679	REMACLEAN SGB	650 mm
578 0686	REMACLEAN SGB	800 mm
578 0703	REMACLEAN SGB	1000 mm
578 0710	REMACLEAN SGB	1200 mm
578 0727	REMACLEAN SGB	1400 mm

Spare cleaning brush SGB

Ref. No.	Designation	Belt width
578 0734	Spare cleaning brush SGB	400 mm
578 0741	Spare cleaning brush SGB	500 mm
578 0758	Spare cleaning brush SGB	650 mm
578 0765	Spare cleaning brush SGB	800 mm
578 0789	Spare cleaning brush SGB	1 000 mm
578 0796	Spare cleaning brush SGB	1 200 mm
578 0803	Spare cleaning brush SGB	1 400 mm



## BELT CLEANING SYSTEMS

### REMACLEAN – Belt Cleaning Brushes

#### REMACLEAN SGB - PUR

REMACLEAN SGB-PUR (cleated belt brush) with PUR combs is a belt cleaning system with an electrically driven brush for cleaning of the carrying side of a belt with CHEVRON profile of steep conveyor belts, especially arrow web straps (CHEVRON).

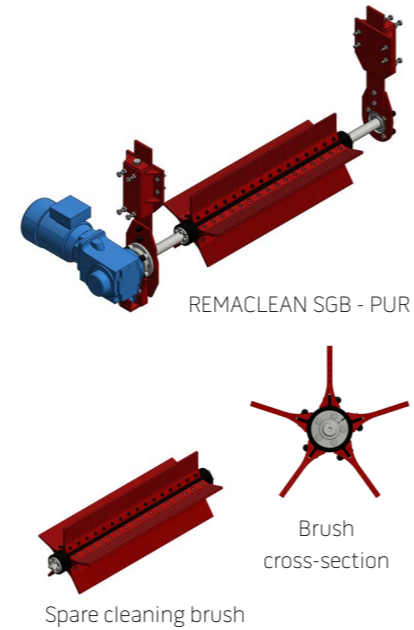
##### Properties

- Unique cleaning system for steep incline conveyor belts
- CHEVRON - belts with up to 24 mm cleat height
- Brush rotation direction is against belt running direction
- Long service life of the combs through the use of highly wear-resistant polyurethane
- Can also be used with oil and greasy bulk material

- PUR combs screwed to shaft, quick replacement
- Suitable for belt speeds up to 2.5 m/s
- ATEX version on request

##### Area of application

- Especially for the hard rock industry
- Glas recycling
- For the use with oil and greasy bulk materials



#### REMACLEAN SGB - PUR

Ref. No.	Designation	Belt width
578 0656	REMACLEAN SGB-PUR	400 mm
578 0663	REMACLEAN SGB-PUR	500 mm
578 0678	REMACLEAN SGB-PUR	650 mm
578 0687	REMACLEAN SGB-PUR	800 mm
578 0702	REMACLEAN SGB-PUR	1000 mm
578 0711	REMACLEAN SGB-PUR	1200 mm
578 0726	REMACLEAN SGB-PUR	1400 mm
578 0728	REMACLEAN SGB-PUR	1600 mm
578 0735	REMACLEAN SGB-PUR Spare cleaning brush	400 mm
578 0742	REMACLEAN SGB-PUR Spare cleaning brush	500 mm
578 0757	REMACLEAN SGB-PUR Spare cleaning brush	650 mm
578 0766	REMACLEAN SGB-PUR Spare cleaning brush	800 mm
578 0788	REMACLEAN SGB-PUR Spare cleaning brush	1000 mm
578 0797	REMACLEAN SGB-PUR Spare cleaning brush	1200 mm
578 0802	REMACLEAN SGB-PUR Spare cleaning brush	1400 mm
578 0807	REMACLEAN SGB-PUR Spare cleaning brush	1600 mm
578 0736	REMACLEAN SGB-PUR Spare comb	400 mm
578 0743	REMACLEAN SGB-PUR Spare comb	500 mm
578 0756	REMACLEAN SGB-PUR Spare comb	650 mm
578 0767	REMACLEAN SGB-PUR Spare comb	800 mm
578 0787	REMACLEAN SGB-PUR Spare comb	1000 mm
578 0798	REMACLEAN SGB-PUR Spare comb	1200 mm
578 0801	REMACLEAN SGB-PUR Spare comb	1400 mm
578 0808	REMACLEAN SGB-PUR Spare comb	1600 mm

## BELT CLEANING SYSTEMS

### REMACLEAN – Belt Cleaning Brushes

#### REMACLEAN SGF - PUR

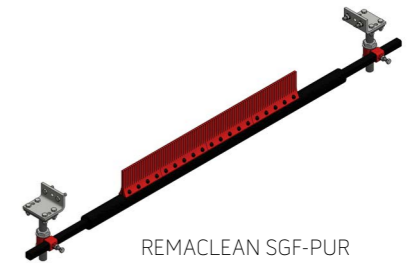
REMACLEAN SGF-PUR with a PUR comb is a belt cleaning scraper for cleaning the carrying side of steep incline belts, especially belts with CHEVRON profile.

##### Properties

- Cleaning system for steep incline belts, especially CHEVRON - belts with up to 24 mm cleat height
- Fast assembling; generation of contact pressure with spindle clamping device
- Long service life of the combs through the use of highly wear-resistant PUR
- Can also be used with oil and greasy material
- PUR combs screwed on to system carrier, allows quick replacement
- Suitable for belt speeds up to 2.5 m/s
- ATEX version on request

##### Area of application

- Universally applicable to many types of bulk materials
- For the use with oil and greasy bulk materials
- Not suitable for waste and fibrous material



#### REMACLEAN SGF - PUR

Ref. No.	Designation	Belt width
578 2500	REMACLEAN PUR-SGF	500 mm
578 2510	REMACLEAN PUR-SGF	650 mm
578 2520	REMACLEAN PUR-SGF	800 mm
578 2530	REMACLEAN PUR-SGF	1000 mm
578 2540	REMACLEAN PUR-SGF	1200 mm
578 2550	REMACLEAN PUR-SGF	1400 mm
578 2560	REMACLEAN PUR-SGF	1600 mm
578 2570	REMACLEAN PUR-SGF	1800 mm
578 2580	REMACLEAN PUR-SGF	2000 mm

#### Spare parts for SGF - PUR

Ref. No.	Designation	Width
578 2620	Spare - PUR comb	250 mm





### REMACLEAN RB-IGP plough scraper

Plough scraper for return side applications at the running side to protect the pulley from material. The frame construction levels off the belt and thus guarantees optimum alignment of the scraper and ensures efficient cleaning. The required contact pressure is created by the weight of the system. An auxiliary wheel mounted on the scraper prevents contact of the steel frame with the belt surface after the rubber bar is worn out.

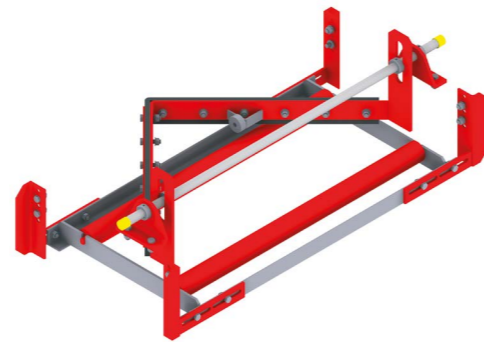
#### Properties

- Highly compact construction
- Base frame with suspension rollers and plough scraper (rubber lip consists of REMACLEAN CAB)
- A version for underground use is also available (ATEX-suitable)

- Not suited for reverse operation
- For belt widths up to 2 000 mm
- Designed for service temperatures from -40°C to +70°C and belt speeds up to 3.5 m/s

#### Area of application

- Universally applicable for many types of materials such as sand, gravel, hard coal, cement, ores, lignite, refuse, clay and sinter



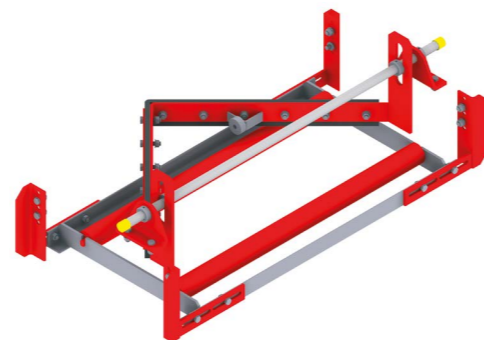
REMACLEAN RB-IGP

#### REMACLEAN RB-IGP

Ref. No.	Designation	Belt width
578 1300	REMACLEAN RB-IGP	500 mm
578 1310	REMACLEAN RB-IGP	650 mm
578 1320	REMACLEAN RB-IGP	800 mm
578 1330	REMACLEAN RB-IGP	1 000 mm
578 1340	REMACLEAN RB-IGP	1 200 mm
578 1350	REMACLEAN RB-IGP	1 400 mm
578 1360	REMACLEAN RB-IGP	1 600 mm
578 1363	REMACLEAN RB-IGP	1 800 mm
578 1290	REMACLEAN RB-IGP	2 000 mm

#### REMACLEAN RB-IGP V

Self-extinguishing, antistatic and moderate oil resistant scraper bar in LOBA quality for underground applications.



REMACLEAN RB-IGP V

Ref. No.	Designation	Belt width
578 1301	REMACLEAN RB-IGP V	500 mm
578 1311	REMACLEAN RB-IGP V	650 mm
578 1321	REMACLEAN RB-IGP V	800 mm
578 1331	REMACLEAN RB-IGP V	1 000 mm
578 1341	REMACLEAN RB-IGP V	1 200 mm
578 1351	REMACLEAN RB-IGP V	1 400 mm
578 1361	REMACLEAN RB-IGP V	1 600 mm

### REMACLEAN RB-IGD diagonal scraper

Diagonal scraper for return side applications at the running side to protect the pulley from material. The required contact pressure is achieved by the spindle-type tension unit.

#### Properties

- Highly compact construction
- Base frame with suspension rollers and plough scraper (rubber lip consists of REMACLEAN CAB)
- A version for underground use is also available (ATEX-suitable)

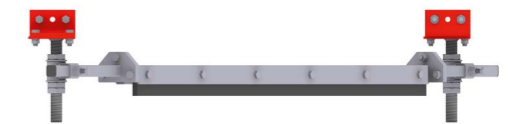
- Suited for reverse operation
- For belt widths up to 2 000 mm
- Designed for service temperatures from -40°C to +70°C and belt speeds up to 3.5 m/s

#### Area of application

- Universally applicable for many types of materials such as sand, gravel, hard coal, cement, ores, lignite, refuse, clay and sinte.

#### REMACLEAN RB-IGD

Ref. No.	Designation	Belt width
578 1370	REMACLEAN RB-IGD	400 mm
578 1380	REMACLEAN RB-IGD	500 mm
578 1390	REMACLEAN RB-IGD	650 mm
578 1400	REMACLEAN RB-IGD	800 mm
578 1410	REMACLEAN RB-IGD	1 000 mm
578 1420	REMACLEAN RB-IGD	1 200 mm
578 1430	REMACLEAN RB-IGD	1 400 mm
578 1440	REMACLEAN RB-IGD	1 600 mm
578 1450	REMACLEAN RB-IGD	1 800 mm
578 1460	REMACLEAN RB-IGD	2 000 mm



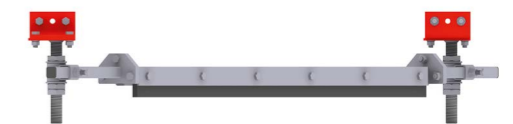
REMACLEAN RB-IGD V



#### REMACLEAN RB-IGD V

Self-extinguishing, antistatic and moderate oil resistant scraper bar in LOBA quality for underground applications.

Ref. No.	Designation	Belt width
578 1371	REMACLEAN RB-IGD V	400 mm
578 1381	REMACLEAN RB-IGD V	500 mm
578 1391	REMACLEAN RB-IGD V	650 mm
578 1401	REMACLEAN RB-IGD V	800 mm
578 1411	REMACLEAN RB-IGD V	1 000 mm
578 1421	REMACLEAN RB-IGD V	1 200 mm
578 1431	REMACLEAN RB-IGD V	1 400 mm
578 1441	REMACLEAN RB-IGD V	1 600 mm



REMACLEAN RB-IGD V



QUESTIONNAIRE  
REMACLEAN belt cleaning systems

Customer:	Contact person:
Phone:	Fax:
Address:	Country (representation):
	E-Mail:

Information about conveyor equipment

Belt designation:	Type / brand:	Belt thickness (mm):		
Belt width (mm):	Axial distances (m):	Belt speed (m/s):		
Belt surface:	<input type="checkbox"/> New	<input type="checkbox"/> Used / smooth	<input type="checkbox"/> Damaged	<input type="checkbox"/> Heavily damaged
Belt splice:	<input type="checkbox"/> Cold	<input type="checkbox"/> Hot	<input type="checkbox"/> Mechanical/Type	
Pulley diameter (mm):		Pulley shape:	<input type="checkbox"/> Cylindric	<input type="checkbox"/> Curved
Pulley Lagging <input type="checkbox"/> Yes <input type="checkbox"/> No:	Attachment	<input type="checkbox"/> Cold	<input type="checkbox"/> Hot	<input type="checkbox"/> Mechanical
Pulley lagging designation:		Reverse mode:	<input type="checkbox"/> Yes	<input type="checkbox"/> No
Operating time:	hours per day:		hours per week:	
Temperature at the position of the belt cleaning system:	°C			
Remarks:				

Material conveyed

Moisture content:	%:	Tends to dry or harden	<input type="checkbox"/> Yes	<input type="checkbox"/> No
Quartz content:	<input type="checkbox"/> Yes,	%:	<input type="checkbox"/> No	
Sticky admixture content:				

Installed cleaning system

Manufacturer:	Type:
Assessment of the cleaning performance:	
Remarks:	

Information prepared by:

Place and date	Name	Signature
----------------	------	-----------

Recommendation for a new belt cleaning system

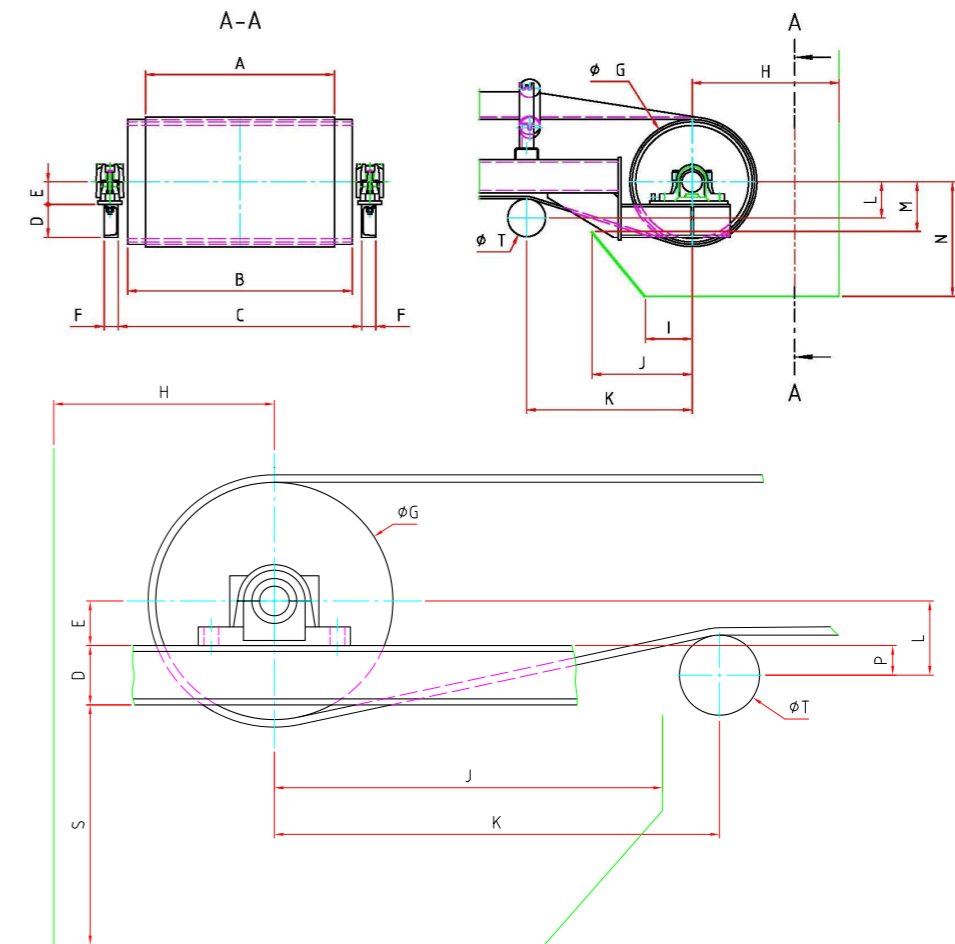
Type:	Ref. No.:
Remarks:	

Recommendation prepared by:

Place and date	Name	Signature
----------------	------	-----------

QUESTIONNAIRE  
REMACLEAN belt cleaning systems – dimensions

Customer:	Contact person:
Phone:	Fax:
Address:	Country (representation):
	E-Mail:



A	I	
B	J	
C	K	
D	L	
E	M	
F	N	
G	T	
H	P	S=

Remarks:

Remarks:

## LEGAL NOTICE

---

Copyright © 2020 REMA TIP TOP AG

All information is given to the best of our knowledge. All specifications are to be considered non-binding information. Any claim for damages of any kind is excluded. We reserve the right to change technical specifications without prior notice, provided that they ensure product improvement. The information presented is based on technical experience but does not guarantee a product's suitability for specific applications, and does not relieve the users of the responsibility to undertake their own testing, including where any third-party trademark rights are concerned. For special applications and operating conditions with regard to temperature, UV light, ozone, acids and alkaline solutions, dynamic and static forces, tensions, elongations and other influences, contact your local REMA TIP TOP distributor for technical advice.

Operating and working instructions, product information and general instructions on the vulcanization properties of natural and synthetic rubber should be followed carefully. The mechanical and physical values presented for our products only apply to the material listed (without bonding layer and without fabric) based on the accompanying inspections for approval; these represent statistical product data, but not guaranteed product properties. Detailed technical data sheets for each single product are available upon request. The weight indications (kg/m<sup>2</sup>, kg/m, etc.) solely represent statistical values and are not necessarily identical to the actual weights. The weights indicated are merely guidelines for the handling, transport and application of our products. The dimension tolerances are based on part 5 of DIN 7715, classification P3 (admissible dimension tolerances for sheets) and DIN ISO 3302-1, classification M4 (molded parts made of soft-rubber). Other tolerances of specific products for special applications are subject to a mutual agreement and must be stipulated in a special contract. Products containing hazardous substances are labeled in accordance with the regulations (EG) No. 1907/2006 for the


classification, packaging and labeling of hazardous materials and preparations.

In order to preserve product properties, the storage conditions indicated in DIN 7716 should be followed (including storing the product in the original package and in an area that is dry, cool and dark).

Products printed in bold are normally available from stock.

# Talk to our team today

 [sales@rema-tiptop.com.au](mailto:sales@rema-tiptop.com.au)

 [rema-tiptop.com.au](http://rema-tiptop.com.au)

 **Beresfield (Head Office)**

02 4935 0200  
79 Elwell Close,  
Beresfield, NSW 2322

**Brisbane**

07 3710 8833  
52 Wentworth Place,  
Northgate, QLD 4014

**Mackay**

07 4953 9100  
29-33 Maggiolo Drive,  
Paget, QLD 4740

**Perth**

08 6253 1900  
102 Kurnall Road,  
Welshpool, WA 6106

**Dandenong**

03 8786 3333  
2 Venture Court,  
Dandenong South, VIC 3175

**Adelaide**

08 8169 2850  
11 Lafitte Road,  
Wingfield, SA 5013

**Newman**

08 6253 1900  
21 Pardoo Street,  
Newman, WA 6753

**Gladstone**

07 3710 8820  
3 McCabe Street,  
Gladstone, QLD 4680



// ONE BRAND // ONE SOURCE // ONE SYSTEM