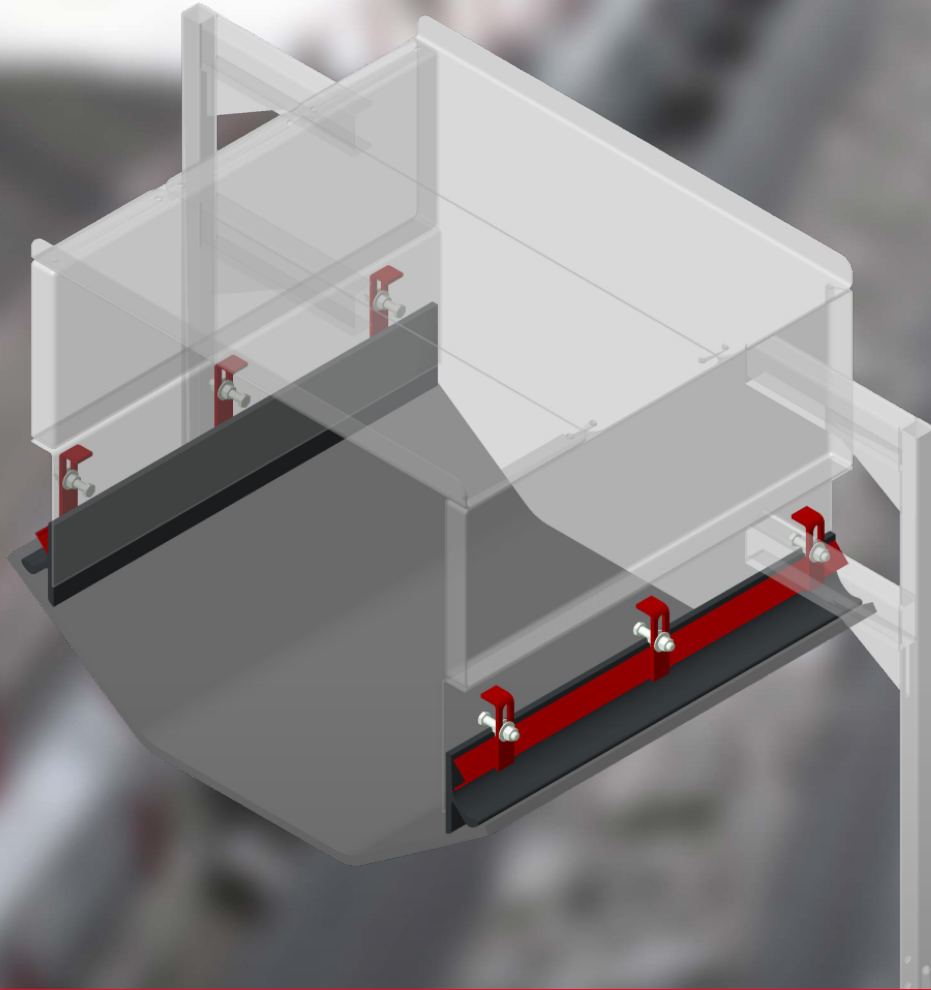




// ONE BRAND // ONE SOURCE // ONE SYSTEM



Skirting

Our complete range of Skirting products.

Skirting

REMASKIRT

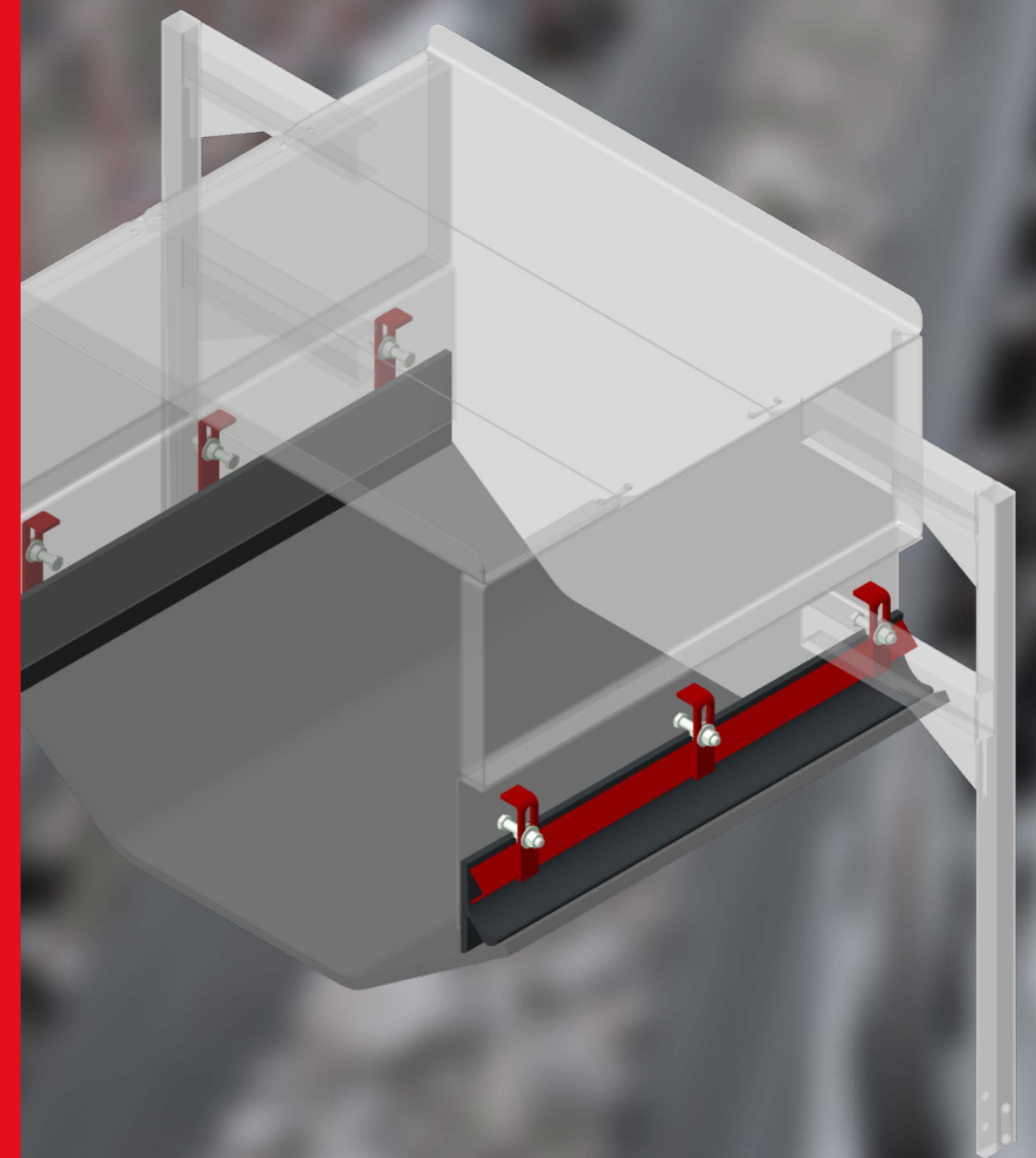
Skirting rubber.

4

UNISKIRT

Skirting rubber.

8



SKIRTING REMASKIRT – Skirting rubber

REMASKIRT 50

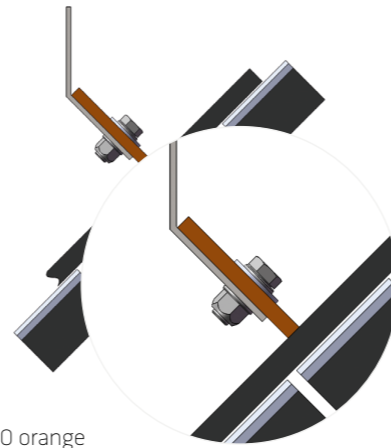
High-quality skirting rubber made of natural rubber with high tensile strength. Excellent sealing properties particularly in connection with REMASLIDE impact bars.

Properties

- Low friction
- Easy fitment
- Available in thicknesses from 5 to 30 mm and belt widths from 100 to 2 000 mm
- Special qualities available on request
- Designed for temperatures from -40°C to +80°C

Area of application

- Skirting rubber and scraper for wet, sticky material



REMASKIRT 50 orange

REMASKIRT 50 orange

Specifications

Polymer basis	NR	DIN ISO 1629
Specific weight	1.11 g/cm ³	DIN EN ISO 1183-1
Hardness	51 Shore A	DIN ISO 7619-1
Colour	Orange*	

Ref. No.	Designation	Dimensions
550 1841	REMASKIRT 50	5 x 2 000 x 10 000 mm
549 6437	REMASKIRT 50	6 x 2 000 x 10 000 mm
550 1921	REMASKIRT 50	7 x 150 x 10 000 mm
550 1937	REMASKIRT 50	7 x 2 000 x 10 000 mm
549 6476	REMASKIRT 50	8 x 120 x 10 000 mm
549 6499	REMASKIRT 50	8 x 2 000 x 10 000 mm
549 6517	REMASKIRT 50	10 x 100 x 10 000 mm
549 6524	REMASKIRT 50	10 x 120 x 10 000 mm
549 6531	REMASKIRT 50	10 x 150 x 10 000 mm
549 6546	REMASKIRT 50	10 x 200 x 10 000 mm
549 6554	REMASKIRT 50	10 x 2 000 x 10 000 mm
549 6620	REMASKIRT 50	12 x 200 x 10 000 mm
549 6626	REMASKIRT 50	12 x 2 000 x 10 000 mm
549 6641	REMASKIRT 50	15 x 150 x 10 000 mm
549 6658	REMASKIRT 50	15 x 200 x 10 000 mm
549 6671	REMASKIRT 50	15 x 2 000 x 10 000 mm
549 6696	REMASKIRT 50	20 x 150 x 10 000 mm
549 6729	REMASKIRT 50	20 x 2 000 x 10 000 mm
549 6736	REMASKIRT 50	25 x 2 000 x 10 000 mm
549 6750	REMASKIRT 50	30 x 2 000 x 10 000 mm

*Please note that this is a product based on natural rubber and therefore deviations in color may occur.

SKIRTING REMASKIRT – Skirting rubber

REMASKIRT COMBI SEAL

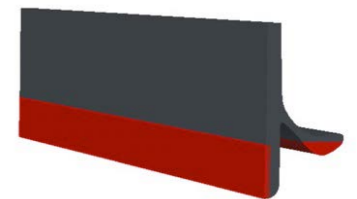
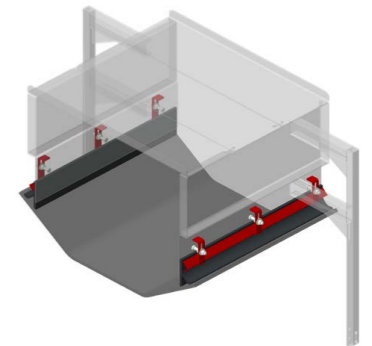
The REMASKIRT COMBI SEAL provides excellent sealing properties with its dual-seal rubber/polyurethane system and clamping mechanism. The REMASKIRT COMBI SEAL delivers excellent sealing properties particularly when used in connection with REMASLIDE impact bars. The Dual durometer rubber/polyurethane has exceptional tear resistance. The primary layer (65 Shore A) offers good low-abrasion characteristics while the secondary layer (50 Shore A) prevents dust and fines from escaping the system for optimum sealing.

Properties

- Optimum dual-sealing for high speed belts
- Dual-seal system in one-piece construction
- Easy, quick mounting and replacement
- Excellent low-abrasion characteristics
- Enhanced service life

Area of application

- Chute sealing system for conveyor system transfer point
- Suitable for fine-grained and dusty material
- Skirting rubber at Heavy-duty loading areas



REMASKIRT COMBI SEAL

Ref. No.	Designation	Dimensions
5495732	REMA Combi-Seal PU	12/4 x 150 x 15000mm
5495735	REMA Combi-Seal PU	15/4 x 150 x 15000mm
5495752	REMA Combi-Seal PU	15/4 x 200 x 15000mm
5495755	REMA Combi-Seal PU	15/4 x 250 x 15000mm
6495795	REMA S-CLAMP (Steel)	1000mm

SKIRTING
 REMASKIRT – Polyurethane Skirt Soft

REMASKIRT - POLYURETHANE SKIRT SOFT

The REMASKIRT Polyurethane Skirt - Soft provides high wear and tear resistance while still providing excellent sealing properties. REMASKIRT Polyurethane Skirt - Soft can be retrofitted to most skirt clamping systems. REMASKIRT Polyurethane Skirt - Soft delivers excellent sealing properties particularly when used in connection with REMASLIDE impact bars.



Properties

- Excellent wear and tear resistance suitable for heavy wear conditions
- Belt friendly with 62 Shore A
- Excellent sealing performance with 45 Degree Bevel edge
- Less wastage with standard 15m/30m long
- Various width and thickness is available
- FRAS polyurethane soft skirt is available

Area of application

- Chute sealing system for conveyor system transfer point
- Suitable for fine-grained and dusty material
- Skirting rubber at Heavy-duty loading areas

REMASKIRT - POLYURETHANE SKIRT SOFT

Specifications

Colour	Orange	
Rubber	PUR	DIN ISO 1629
Hardness	62 Shore A	DIN ISO 7619-1
Density	1,22 g/cm3	DIN EN ISO 1183-1
Tensile Strength	35 N/mm2	DIN 35 504
Elongation at break	650%	DIN 35 504
Resilience	55%	DIN 53 512

SKIRTING
 REMASKIRT – Polyurethane Skirt Soft

Ref. No.	Designation	Dimensions
574 2203	REMASKIRT Polyurethane Soft	10x100x15000mm
574 2278	REMASKIRT Polyurethane Soft	10x150x15000mm
574 2216	REMASKIRT Polyurethane Soft	10x200x15000mm
574 2228	REMASKIRT Polyurethane Soft	10x250x15000mm
574 2202	REMASKIRT Polyurethane Soft	12x100x15000mm
574 2238	REMASKIRT Polyurethane Soft	12x125x15000mm
574 2287	REMASKIRT Polyurethane Soft	12x150x15000mm
574 2277	REMASKIRT Polyurethane Soft	12x200x15000mm
574 2283	REMASKIRT Polyurethane Soft	12x250x15000mm
574 2233	REMASKIRT Polyurethane Soft	12x300x15000mm
574 2243	REMASKIRT Polyurethane Soft	16x150x30000mm
574 2234	REMASKIRT Polyurethane Soft	16x200x30000mm
574 2260	REMASKIRT Polyurethane Soft	16x250x30000mm
574 2237	REMASKIRT Polyurethane Soft	16x300x30000mm
574 2256	REMASKIRT Polyurethane Soft	16x350x30000mm
574 2296	REMASKIRT Polyurethane Soft	19x150x30000mm
574 2273	REMASKIRT Polyurethane Soft	19x200x30000mm
574 2219	REMASKIRT Polyurethane Soft	19x250x30000mm
574 2252	REMASKIRT Polyurethane Soft	19x300x30000mm
574 2258	REMASKIRT Polyurethane Soft	25x200x15000mm
574 2282	REMASKIRT Polyurethane Soft	25x250x15000mm

SKIRTING
UNISKIRT – Skirting rubber

UNISKIRT 40

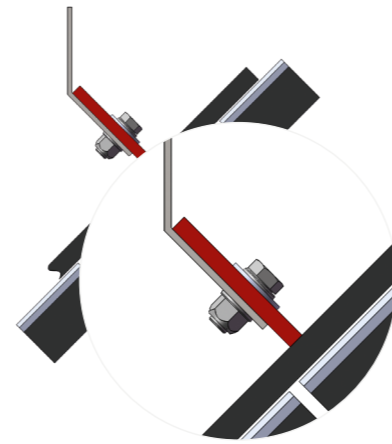
UNISKIRT 40 is a high quality soft rubber skirting with excellent tear and abrasion resistance. UNISKIRT 40 is designed to reduce product spillage and dust by providing a low friction seal between the skirt rubber and conveyor belt. Excellent sealing properties particularly in connection with UNISLIDE impact bars.

Properties

- Low friction
- Excellent sealing properties
- High Flexibility
- Easy fitment
- In width from 50 to 2000 mm
- In thicknesses from 6 to 30mm
- Designed for temperatures from -40°C to +80°C

Area of application

- Chute sealing system for conveyor system transfer point
- Suitable for fine-grained and dusty material
- Scraper rubber for moist sticky material
- Skirting rubber at Heavy-duty loading areas



UNISKIRT 40 red

UNISKIRT 40 red

Specifications

Polymer basis	NR/BR/SBR	DIN ISO 1629
Specific weight	1.13 g/cm ³	DIN EN ISO 1183-1
Hardness	45 Shore A	DIN ISO 7619-1
Colour	Red*	

Ref. No.	Designation	Dimensions
650 3055	UNISKIRT 40 RED/CUT	12 x 150 x 20 000 mm
650 3083	UNISKIRT 40 RED/CUT	12 x 200 x 20 000 mm
650 3075	UNISKIRT 40 RED/CUT	12 x 250 x 20 000 mm

*Please note that this is a product based on natural rubber and therefore deviations in colour may occur.

SKIRTING
UNISKIRT – Skirting rubber

UNISKIRT 60

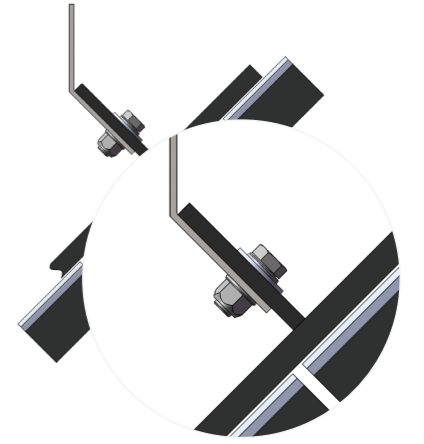
UNISKIRT 60 Black is a high quality 60 duro rubber skirting with excellent impact and abrasion resistance. UNISKIRT 60 is designed to reduce product spillage and contain dust by providing a seal between the skirt system and conveyor belt. Excellent sealing properties particularly in connection with UNISLIDE impact bars.

Properties

- Low friction
- Excellent sealing properties
- Easy fitment
- In width from 50 to 2000 mm
- In thicknesses from 6 to 30mm
- In lengths up to 30m
- Designed for temperatures from -40°C to +80°C

Area of application

- Chute sealing system for conveyor system transfer point
- Suitable for fine-grained and dusty material
- Heavy-duty loading areas



UNISKIRT 60 black

Specifications

Polymer basis	NR/BR/SBR	DIN ISO 1629
Specific weight	1.18 g/cm ³	DIN EN ISO 1183-1
Hardness	60 Shore A	DIN ISO 7619-1
Colour	Black	

Ref. No.	Designation	Dimensions
663 3754	UNISKIRT 60 CUT	10x150x15000mm
663 3755	UNISKIRT 60 CUT	10x200x15000mm
663 3756	UNISKIRT 60 CUT	10x250x15000mm
663 0375	UNISKIRT 60 CUT	12x150x20000mm
663 0382	UNISKIRT 60 CUT	12x200x20000mm
663 0307	UNISKIRT 60 CUT	12x250x20000mm
663 3768	UNISKIRT 60 CUT	12x300x15000mm
663 3773	UNISKIRT 60 CUT	16x150x30000mm
663 3774	UNISKIRT 60 CUT	16x200x30000mm
663 3776	UNISKIRT 60 CUT	16x250x30000mm
663 3777	UNISKIRT 60 CUT	16x300x30000mm
663 3785	UNISKIRT 60 CUT	19x150x30000mm
663 3786	UNISKIRT 60 CUT	19x200x30000mm
663 3787	UNISKIRT 60 CUT	19x250x30000mm
663 3788	UNISKIRT 60 CUT	19x300x30000mm

Note: Available in FRAS (VH60).

SKIRTING
UNISKIRT – Skirting rubber

UNISKIRT VH60 FRAS

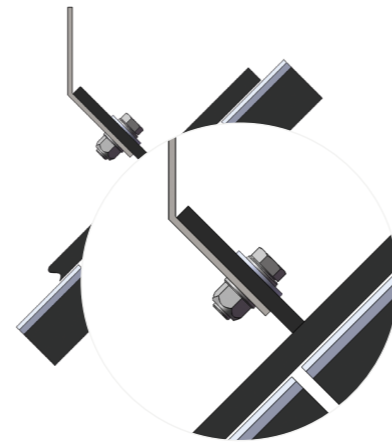
UNISKIRT VH60 FRAS is a high quality 60 duro rubber approved for use in underground coal mining applications or anywhere where Fire Resistant or Ant Static properties are required. UNISKIRT VH60 FRAS skirting provides excellent impact and abrasion resistance. UNISKIRT VH60 FRAS is designed to reduce product spillage and contain dust by providing a positive seal between the skirt system and conveyor belt. Excellent sealing properties particularly in connection with UNISLIDE impact bars.

Properties

- FRAS Approved
- Low friction
- Excellent sealing properties
- Easy fitment
- In width from 50 to 2000 mm
- In thicknesses from 6 to 30mm
- In lengths up to 30m
- Designed for temperatures from -40°C to +80°C

Area of application

- Chute sealing system for conveyor system transfer point
- Suitable for fine-grained and dusty material
- Heavy-duty loading areas



UNISKIRT 60 black

UNISKIRT 60 FRAS

Specifications

Polymer basis	NR/BR/SBR	DIN ISO 1629
Specific weight	1.13 g/cm ³	DIN EN ISO 1183-1
Hardness	45 Shore A	DIN ISO 7619-1
Colour	Black	

SKIRTING
UNISKIRT – Skirting rubber

Ref. No.	Designation	Dimensions
663 3913	UNISKIRT VH60 FRAS	12x150x30000mm
663 3950	UNISKIRT VH60 FRAS	12x200x30000mm
663 3925	UNISKIRT VH60 FRAS	12x250x30000mm
663 3933	UNISKIRT VH60 FRAS	12x300x30000mm
663 3931	UNISKIRT VH60 FRAS	16x150x30000mm
663 3942	UNISKIRT VH60 FRAS	16x200x30000mm
663 3955	UNISKIRT VH60 FRAS	16x250x30000mm
663 3938	UNISKIRT VH60 FRAS	16x300x30000mm
663 3962	UNISKIRT VH60 FRAS	19x150x30000mm
663 3977	UNISKIRT VH60 FRAS	19x200x30000mm
663 3983	UNISKIRT VH60 FRAS	19x250x30000mm
663 3994	UNISKIRT VH60 FRAS	19x300x30000mm
663 3972	UNISKIRT VH60 FRAS	25x150x30000mm
663 3973	UNISKIRT VH60 FRAS	25x200x30000mm
663 3974	UNISKIRT VH60 FRAS	25x250x30000mm
663 3975	UNISKIRT VH60 FRAS	25x300x30000mm

LEGAL NOTICE

Copyright © 2020 REMA TIP TOP AG

All information is given to the best of our knowledge. All specifications are to be considered non-binding information. Any claim for damages of any kind is excluded. We reserve the right to change technical specifications without prior notice, provided that they ensure product improvement. The information presented is based on technical experience but does not guarantee a product's suitability for specific applications, and does not relieve the users of the responsibility to undertake their own testing, including where any third-party trademark rights are concerned. For special applications and operating conditions with regard to temperature, UV light, ozone, acids and alkaline solutions, dynamic and static forces, tensions, elongations and other influences, contact your local REMA TIP TOP distributor for technical advice.

Operating and working instructions, product information and general instructions on the vulcanization properties of natural and synthetic rubber should be followed carefully. The mechanical and physical values presented for our products only apply to the material listed (without bonding layer and without fabric) based on the accompanying inspections for approval; these represent statistical product data, but not guaranteed product properties. Detailed technical data sheets for each single product are available upon request. The weight indications (kg/m², kg/m, etc.) solely represent statistical values and are not necessarily identical to the actual weights. The weights indicated are merely guidelines for the handling, transport and application of our products. The dimension tolerances are based on part 5 of DIN 7715, classification P3 (admissible dimension tolerances for sheets) and DIN ISO 3302-1, classification M4 (molded parts made of soft-rubber). Other tolerances of specific products for special applications are subject to a mutual agreement and must be stipulated in a special contract. Products containing hazardous substances are labeled in accordance with the regulations (EG) No. 1907/2006 for the


classification, packaging and labeling of hazardous materials and preparations.

In order to preserve product properties, the storage conditions indicated in DIN 7716 should be followed (including storing the product in the original package and in an area that is dry, cool and dark).

Products printed in bold are normally available from stock.

Talk to our team today

 sales@rema-tiptop.com.au

 rema-tiptop.com.au

 **Beresfield (Head Office)**

02 4935 0200
79 Elwell Close,
Beresfield, NSW 2322

Brisbane

07 3710 8833
52 Wentworth Place,
Northgate, QLD 4014

Mackay

07 4953 9100
29-33 Maggiolo Drive,
Paget, QLD 4740

Perth

08 6253 1900
102 Kurnall Road,
Welshpool, WA 6106

Dandenong

03 8786 3333
2 Venture Court,
Dandenong South, VIC 3175

Adelaide

08 8169 2850
11 Lafitte Road,
Wingfield, SA 5013

Newman

08 6253 1900
21 Pardoo Street,
Newman, WA 6753

Gladstone

07 3710 8820
3 McCabe Street,
Gladstone, QLD 4680



// ONE BRAND // ONE SOURCE // ONE SYSTEM